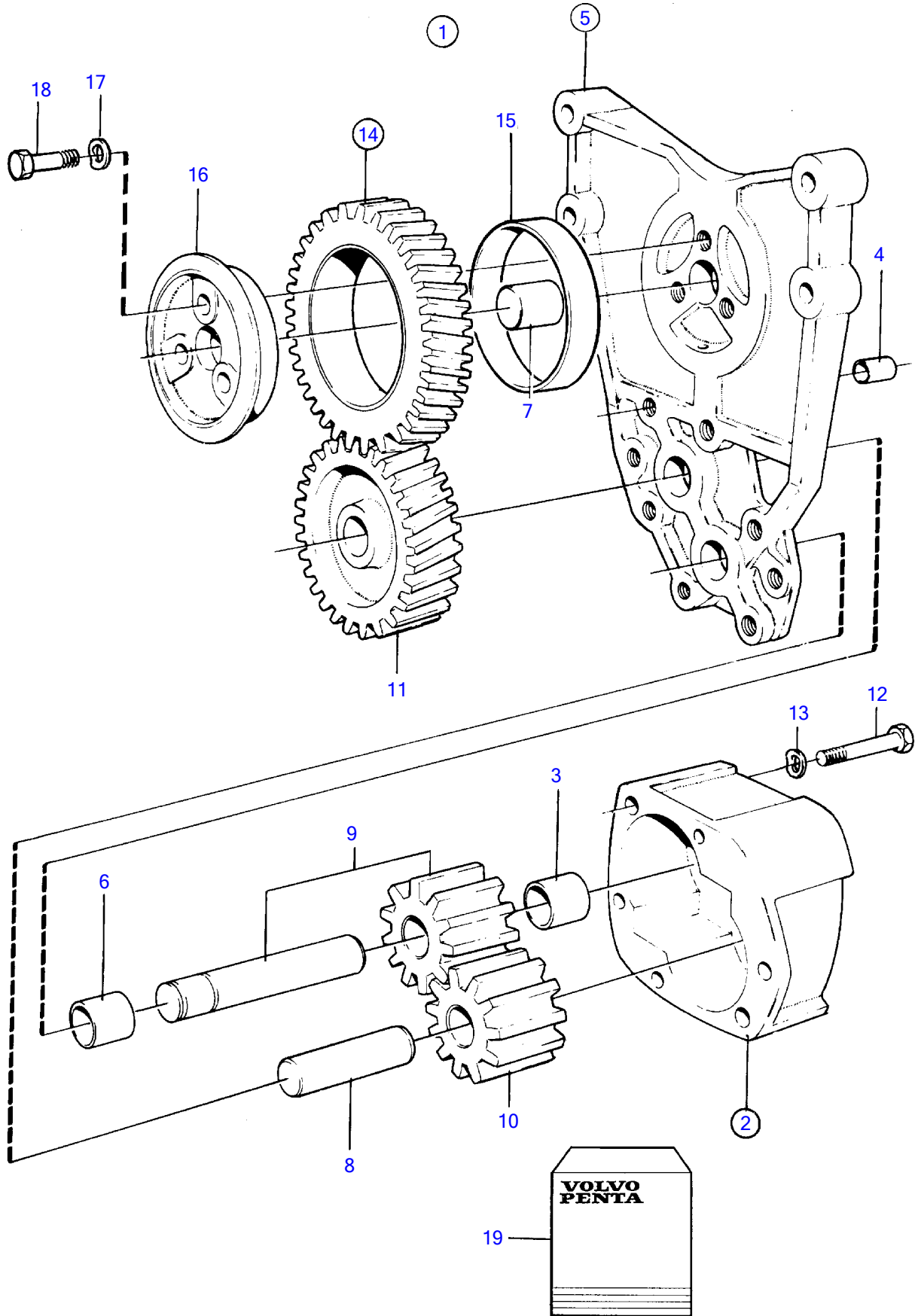


TAMD122A, TMD122A, TAMD122P-A, TAMD122P-B, TAMD122P-C



TAMD122A, TMD122A, TAMD122P-A, TAMD122P-B, TAMD122P-C

REF	PART NO.	QTY	DESCRIPTION	NOTES
1	478649	1	Oil pump	
2		1	• Housing	
3	470347	2	• • Bushing	Included in overhaul kit.
4	401146	2	• • Guide sleeve	
5		1	• Bracket	
6	470347	2	• • Bushing	Included in overhaul kit.
7	191171	1	• • Pin	
8		1	• Stub	Included in overhaul kit.
9		1	• Shaft, with gear	Included in overhaul kit.
10		1	• Gear	Included in overhaul kit.
11	478232	1	• Gear	
12	955531	2	• Hexagon screw	
13	941907	2	• Spring washer	Included in overhaul kit.
14	422047	1	• Gear	
15	422314	1	• • Bushing	
16	422313	1	• Bearing sleeve	
17	941907	3	• Spring washer	
18	940186	3	• Hexagon screw	
19	276156	1	Overhaul kit	See group 99