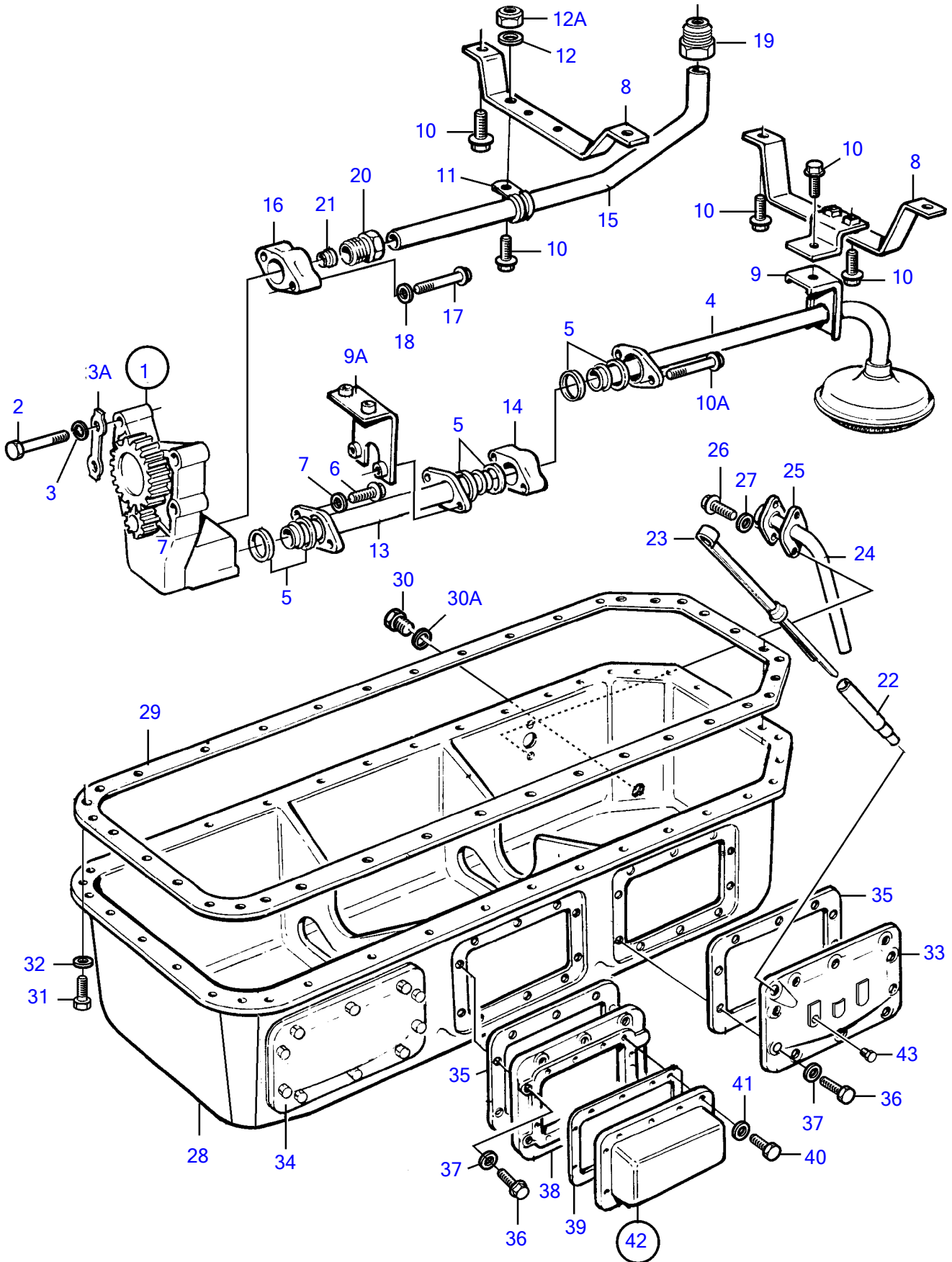


TAMD122A, TMD122A, TAMD122P-A, TAMD122P-B, TAMD122P-C



TAMD122A, TMD122A, TAMD122P-A, TAMD122P-B, TAMD122P-C

REF	PART NO.	QTY	DESCRIPTION	SEE SEC.	NOTES
1	470343	1	Oil pump		SN-XXXXXXXXXXXX/146170
			.	1736	
	478285	1	Oil pump		SNXXXXXXXXXXXX/146171 SN-XXXXXXXXXXXX/170484
			.	1736	
	478649	1	Oil pump		SNXXXXXXXXXXXX/170485-
			.	752	
2	955538	4	Hexagon screw		
3	190529	2	Tab washer		Early type
3A	942336	4	Spring washer		Late type
4	847288	1	Oil strainer		
5	470383	6	Sealing ring		
6	955533	2	Hexagon screw		
7	941907	2	Spring washer		
8	470918	2	Bracket		
9	847346	1	Bracket		
9A	847347	1	Bracket		
10	942402	8	Flange screw		
10A	955527	2	Hexagon screw		
11	1545432	1	Attaching clamp		I=20mm
12	941907	1	Spring washer		
12A	945467	1	Lock nut		
13	847289	1	Pipe		
14	847286	1	Flange		
15	470375	1	Oil pressure pipe		
16	470376	1	Spacer		
17	959794	2	Hexagon screw		
18	941907	2	Spring washer		
19	466908	1	Fitting		
20	470377	1	Fitting		
21	956973	1	Ferrule		
22	846922	1	Tube		
23	822542	1	Oil dipstick		
24	896775	1	Pipe		
25	862602	1	Gasket		
26	955525	2	Hexagon screw		
27	941907	2	Spring washer		
28	822586	1	Crankcase, cast iron		Replaced by 864328
	864328	1	Oil sump, aluminum		
29	478505	1	Gasket		
30	980573	1	Magnetic plug		For 822586
	960634	1	Plug		For 864328
30A	947627	1	Gasket		For 864328
31	956570	43	Hex. socket screw		
32	941906	43	Spring washer		
33	3826433	1	Hatch		With hole for plug 479977., (866354)
34	866355	2	Hatch		Std (822587)
	866355	1	Hatch		When oil supervision is installed., (822587)
35	862595	3	Gasket		
36	955535	30	Hexagon screw		
37	942336	30	Spring washer		
38	(843503)	1	Cardboard tube		Obsolete part
39	862597	1	Gasket		
40	956569	12	Hex. socket screw		
41	11992	12	Gasket		
42		1	Oil, and fuel supervision	2289	
43	479977	1	Plug		