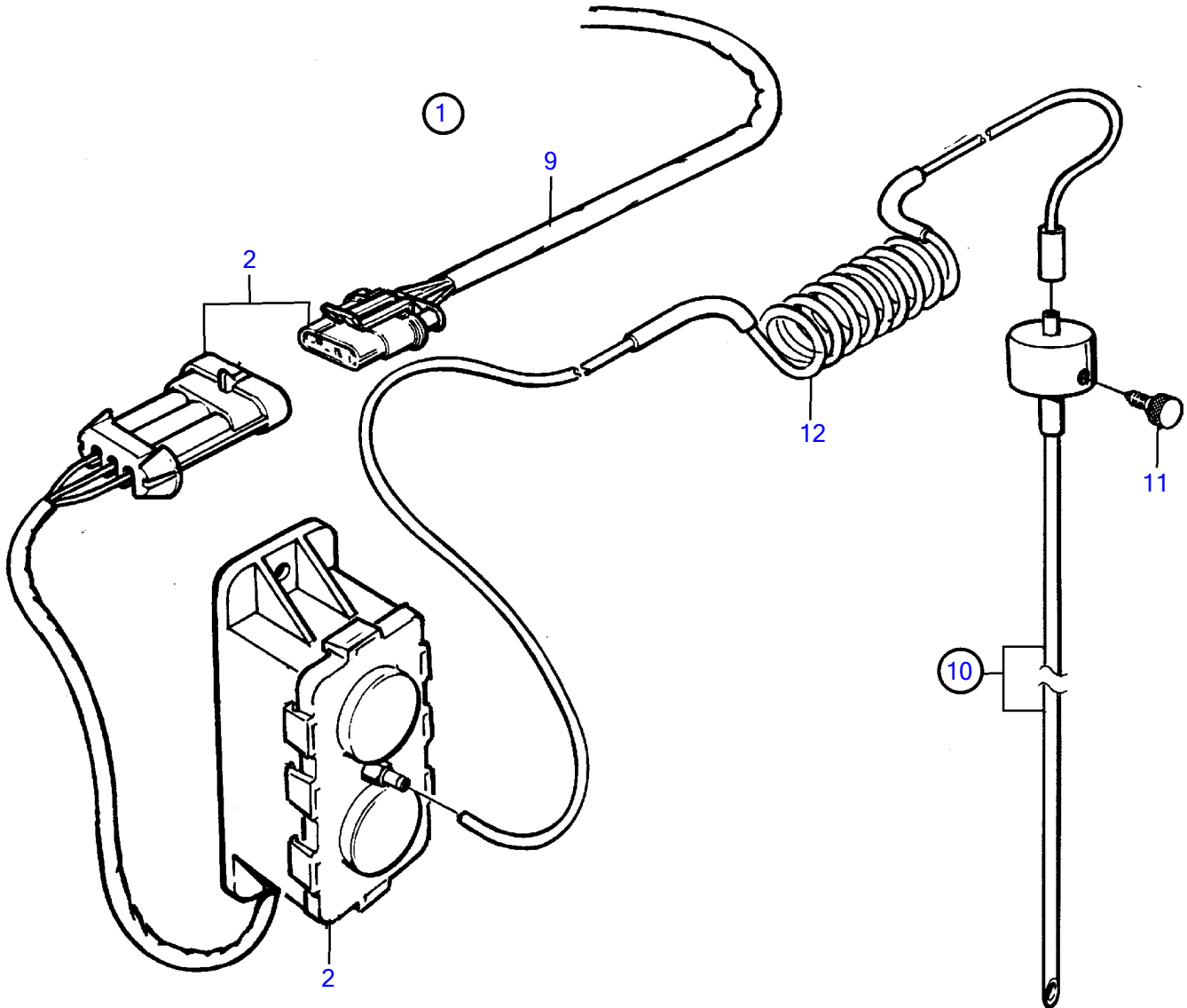
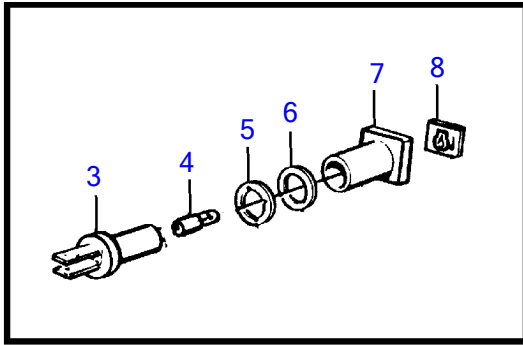


TAMD122A, TMD122A, TAMD122P-A, TAMD122P-B, TAMD122P-C



TAMD122A, TMD122A, TAMD122P-A, TAMD122P-B, TAMD122P-C

REF	PART NO.	QTY	DESCRIPTION	SEE SEC.	NOTES
1	(866855)	1	Oil level sensor		24V, Obsolete part
2	(866832)	1	• Electronic unit		Obsolete part
3	808175	1	• Lamp socket		
4	182059	1	• Bulb		24V
5	967583	1	• Retainer		
6	829714	1	• Sealing ring		
7	838455	1	• Retainer		
8	866853	1	• Symbol strip		
9		X	electrical materials	1963	
		X	electrical materials	1964	
		X	electrical materials	1965	
10	(866845)	1	Dipstick, standard oil sump		Obsolete part
	(866846)	1	Dipstick, shallow oil sump		Obsolete part
11		1	• Screw		
12		1	• Hose		