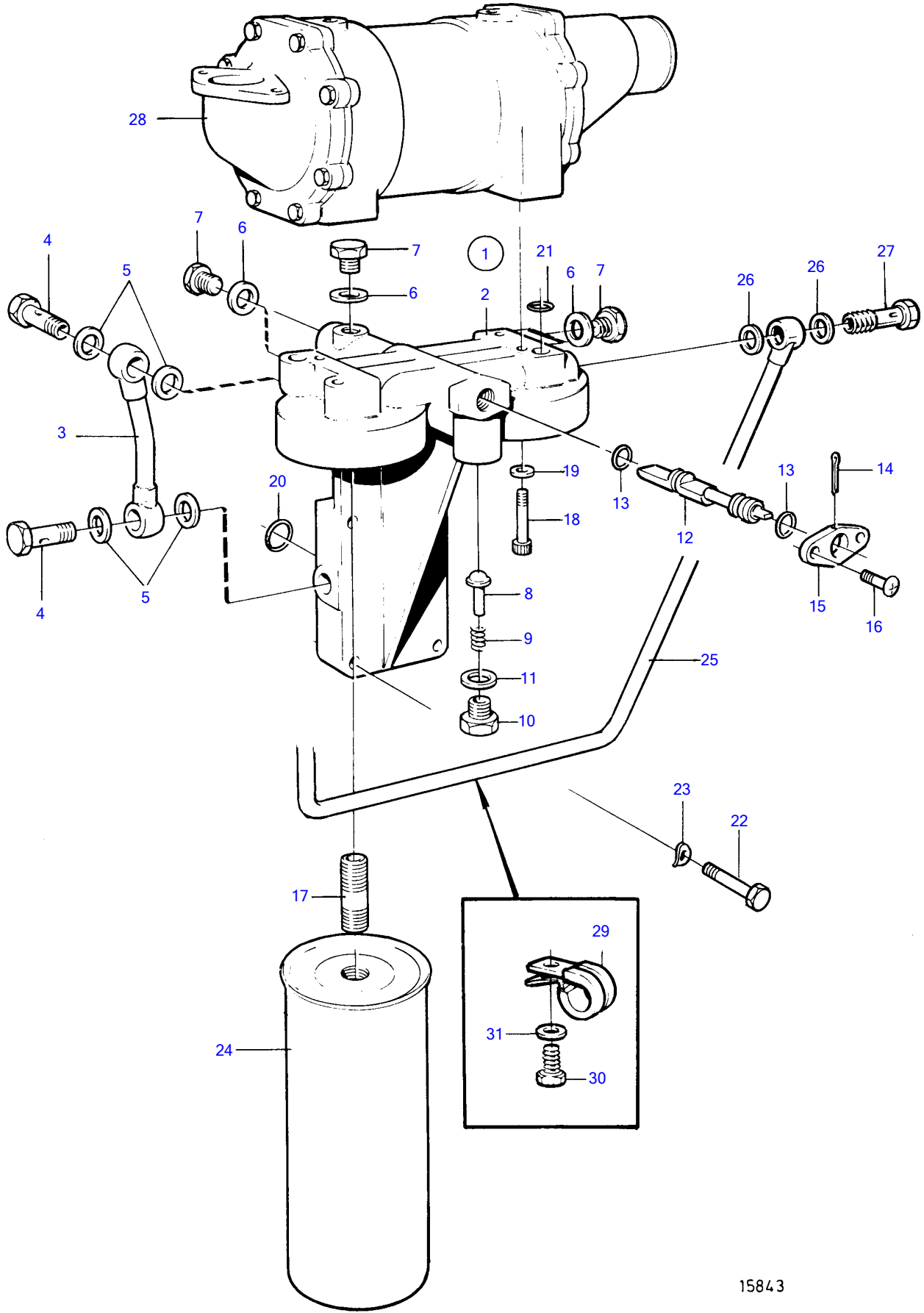


TMD122A



15843

TMD122A

REF	PART NO.	QTY	DESCRIPTION	SEE SEC.	NOTES
1	844498	1	Bracket		
2	844497	1	• Bracket		
3	842831	1	• Tube		
4	191157	2	• Hollow screw		
5	947627	4	• Gasket		
6	976930	5	• Gasket		
7	914391	5	• Plug		
8	471085	1	• Valve cone		
9	466653	1	• Compression spring		
10	466624	1	• Plug		
11	18677	1	• Gasket		
12	824198	1	• Valve peg		
13	943177	2	• O-ring		
14	907868	1	• Split pin		
15	824195	1	• Flange		
16	(950022)	2	• Cross recessed screw		Obsolete part
17	466623	2	• Nipple		
18	956572	4	Hex. socket screw		
19	11992	4	Gasket		
20	949657	2	O-ring		
21	949656	2	O-ring		
22	955537	4	Hexagon screw		
23	942336	4	Spring washer		
24	466634	2	Oil filter		
25	842830	1	Tube		For piston cooling.
26	947624	2	Gasket		
27	190714	1	Hollow screw		
28		1	Oil cooler	2216	
29	952627	1	Clamp		
30	940100	1	Hexagon screw		
31	941906	1	Spring washer		