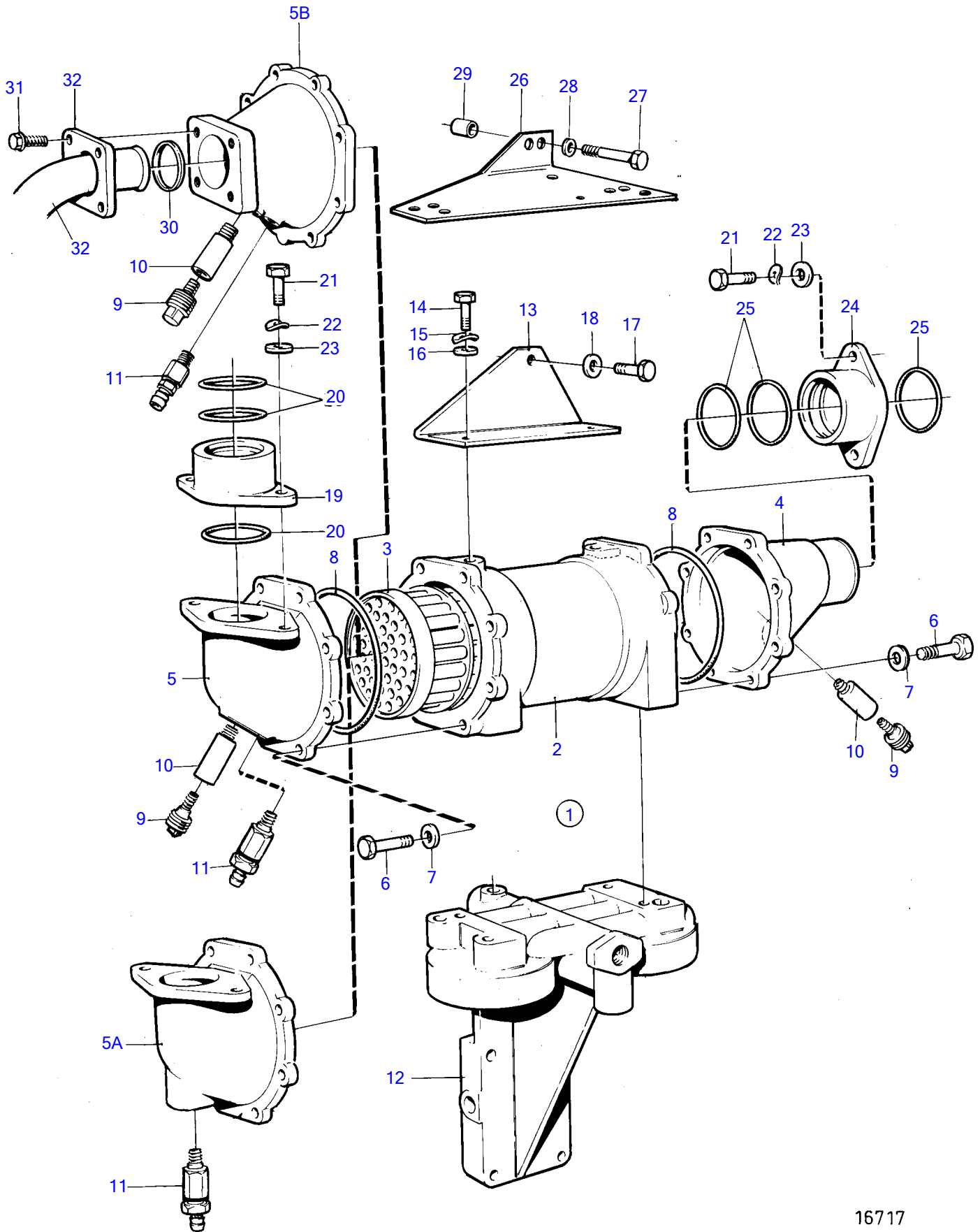


TAMD122A



16717

## TAMD122A

REF	PART NO.	QTY	DESCRIPTION	SEE SEC.	NOTES
1		1	Oil cooler		
2	849410	1	• Housing		
3	3825932	1	• Insert		(864213)
4	843580	1	• End cover		
5	843567	1	• End cover		
6	940094	16	• Hexagon screw		
7	941906	16	• Spring washer		
8	925027	2	• O-ring		
9	838928	2	• Plug		
10	838929	2	• Anode		
11	949918	1	Shut-off cock		
12		1	Oil filter housing		
			•	2044	
			•	3000	
13	3826058	1	Bracket		
14	940100	2	Hexagon screw		
15	941906	2	Spring washer		
16	955893	2	Washer		
17	955533	1	Hexagon screw		
18	941907	1	Spring washer		
19	843565	1	Pipe connection		
20	925092	3	O-ring		
21	955525	4	Hexagon screw		
22	941907	4	Spring washer		
23	191172	4	Washer		
24	843565	1	Pipe connection		
25	925092	3	O-ring		
26	3826058	1	Bracket		
27	955535	1	Hexagon screw		
28	942336	1	Spring washer		
29	829653	1	Spacer sleeve		