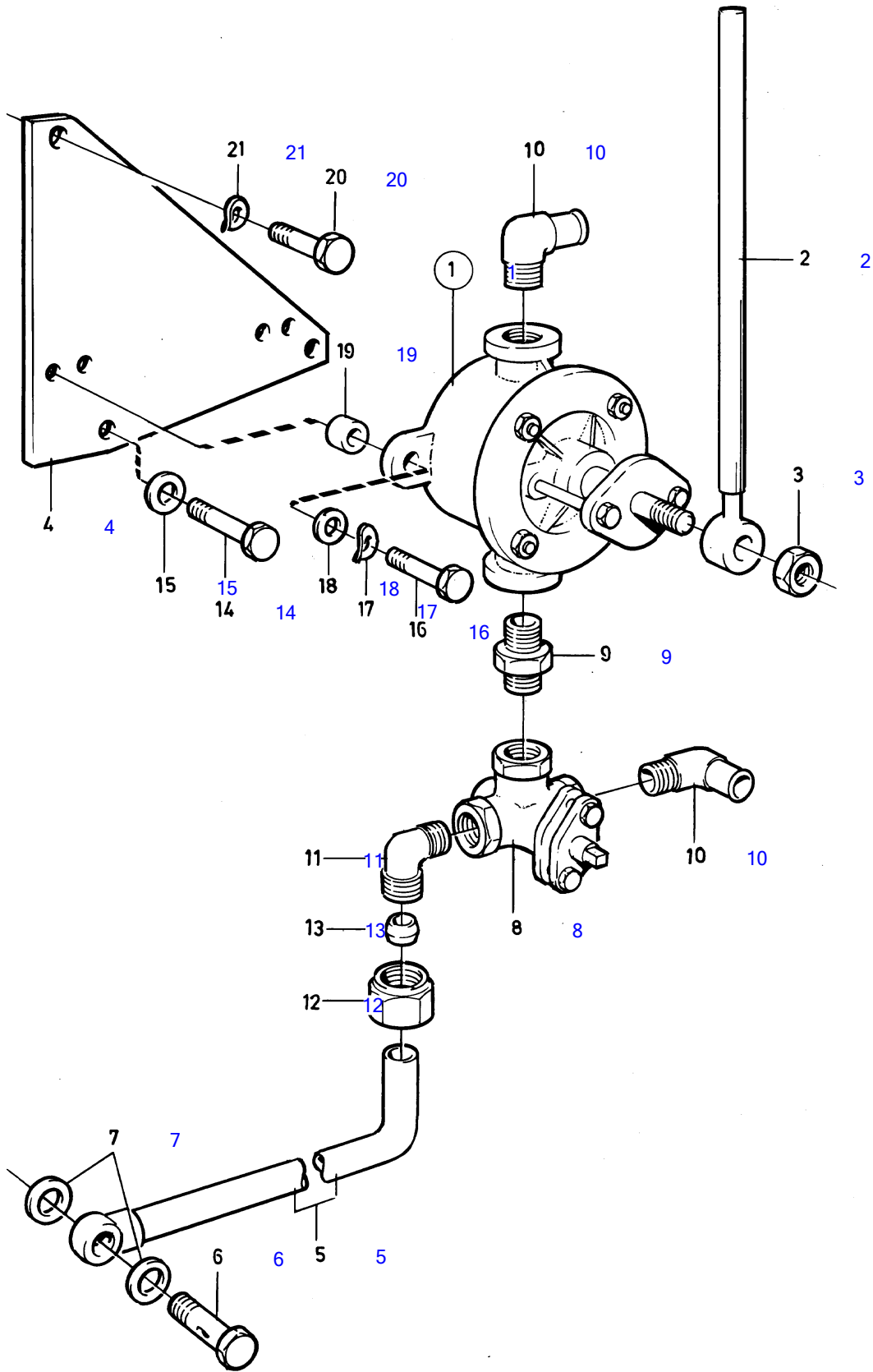


TMD122A, TAMD122P-A



9115

TMD122A, TAMD122P-A

REF	PART NO.	QTY	DESCRIPTION	NOTES
1	805999	1	Oil bilge pump, standard oil sump	
2	821713	1	• Handle	
3	971071	1	• Hexagon nut	
4	849453	1	Bracket	
5	849489	1	Tube	
6	26013	1	Hollow screw	
7	947624	2	Gasket	
8	866572	1	Faucet	(807721)
9	16452	1	Double nipple	
10	467716	2	Elbow nipple	(961610)
11	941758	1	Elbow nipple	
12	941752	1	Fitting nut	
13	941753	1	Ferrule	
14	940135	2	Hexagon screw	
15	941907	2	Spring washer	
16	955538	2	Hexagon screw	
17	942336	2	Spring washer	
18	976945	2	Washer	
19	845884	2	Spacer sleeve	
20	940114	1	Hexagon screw	
21	942336	1	Spring washer	