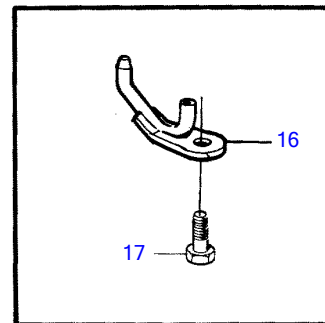
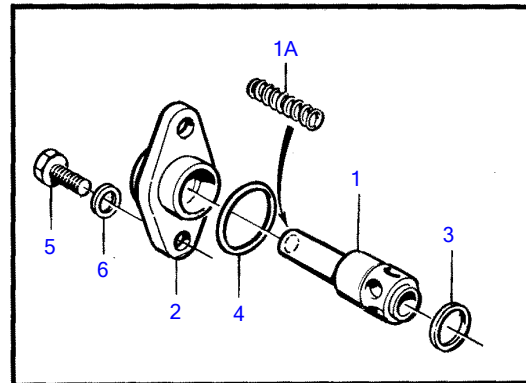
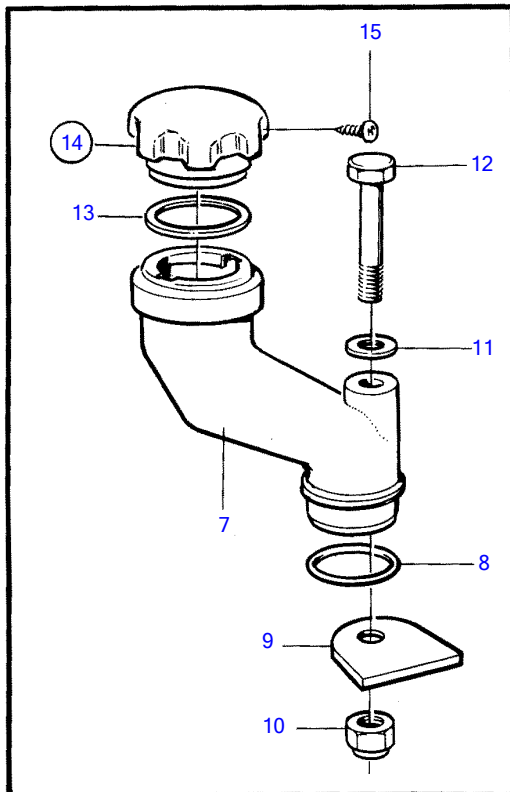
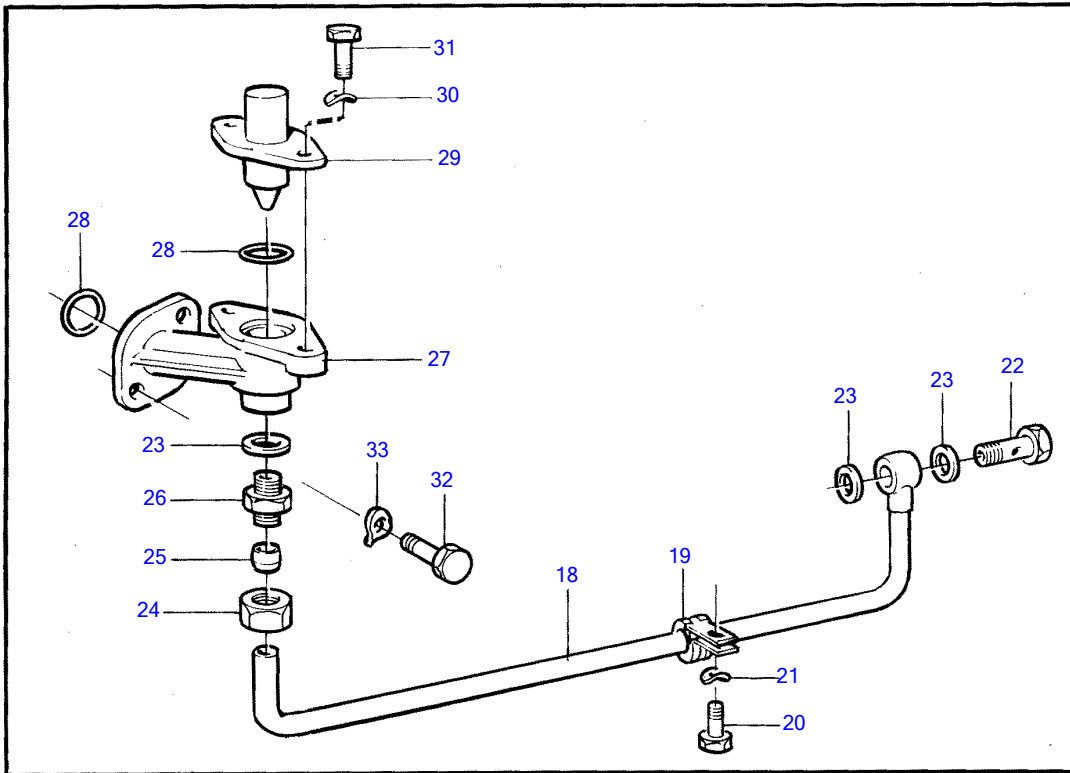


TAMD122P-B, TAMD122P-C



16714

TAMD122P-B, TAMD122P-C

| REF | PART NO. | QTY | DESCRIPTION | NOTES |
|-----|----------|-----|------------------------|---------------------|
| 1 | 3826265 | 1 | Reduction valve | Violet |
| | 3826266 | 1 | • Spring | |
| 2 | 471752 | 1 | Cover | |
| 3 | 469846 | 1 | Sealing ring | |
| 4 | 949658 | 1 | O-ring | |
| 5 | 940100 | 2 | Hexagon screw | |
| 6 | 949607 | 2 | Spring washer | |
| 7 | 821792 | 1 | Oil filler pipe | |
| 8 | 949658 | 1 | O-ring | |
| 9 | 820964 | 1 | Retainer | |
| 10 | 950352 | 1 | Lock nut | |
| 11 | 955893 | 1 | Washer | |
| 12 | 955517 | 1 | Hexagon screw | |
| 13 | 1275379 | 1 | Gasket | |
| 14 | 421753 | 1 | Oil filler cap | |
| 15 | 955126 | 1 | • Cross recessed screw | |
| 16 | 3825945 | 6 | Piston cooling jet | |
| 17 | 948587 | 6 | Hexagon screw | |
| 18 | 842830 | 1 | Tube | |
| 19 | 952629 | 1 | Clamp | |
| 20 | 940100 | 1 | Hexagon screw | |
| | 940094 | 1 | Hexagon screw | |
| 21 | 941906 | 1 | Spring washer | |
| 22 | 190714 | 1 | Hollow screw | |
| 23 | 947624 | 3 | Gasket | |
| 24 | 956985 | 1 | Fitting nut | |
| 25 | 956971 | 1 | Ferrule | |
| 26 | 192639 | 1 | Nipple | |
| 27 | (843529) | 1 | Housing | Obsolete part |
| 28 | 949659 | 2 | O-ring | |
| 29 | 466450 | 1 | Valve | For piston cooling. |
| 30 | 941906 | 2 | Spring washer | |
| 31 | 940094 | 2 | Hexagon screw | |
| 32 | 955525 | 2 | Hexagon screw | |
| 33 | 941907 | 2 | Spring washer | |