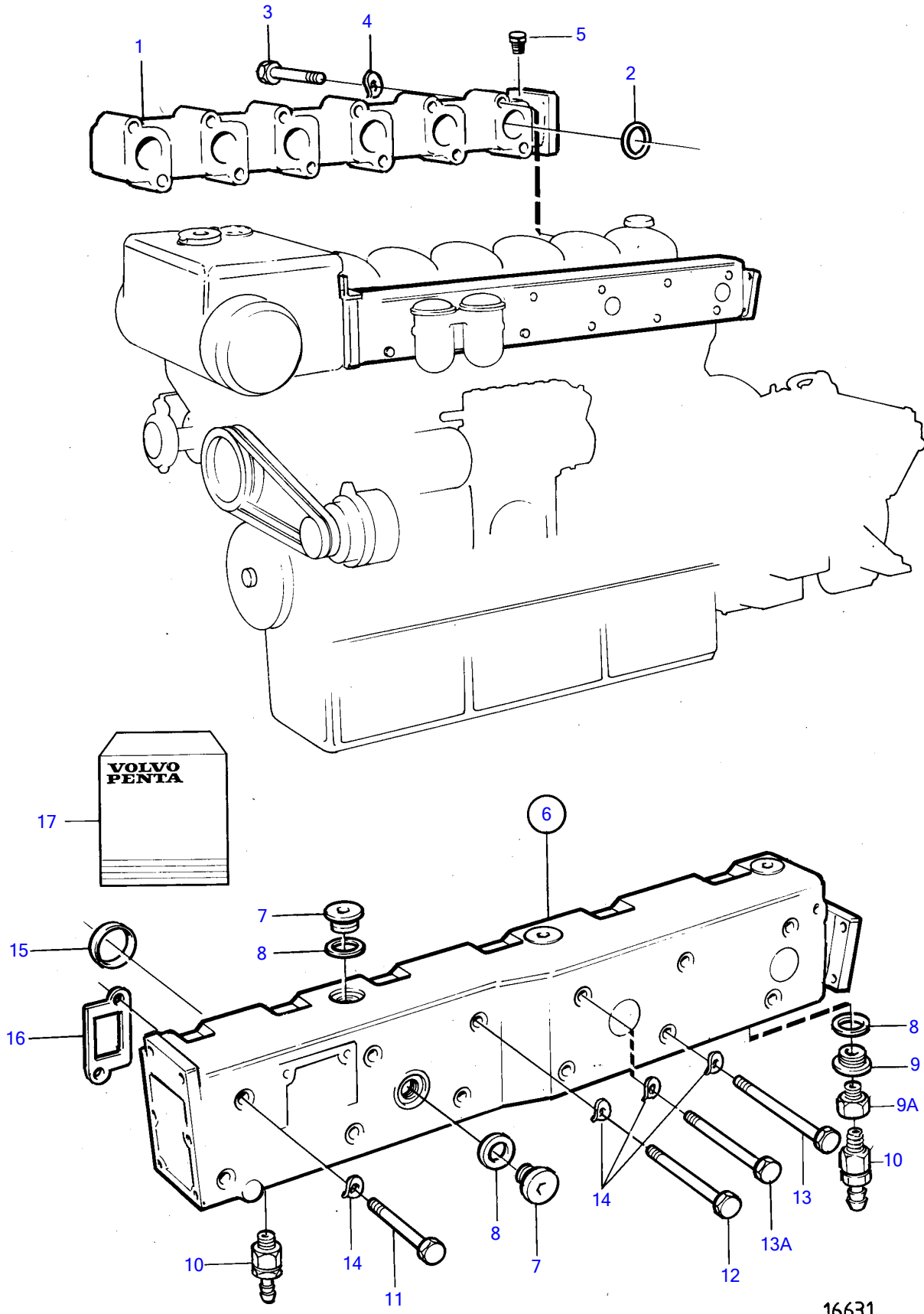


TMD122A



16631

TMD122A

REF	PART NO.	QTY	DESCRIPTION	NOTES
1	863260	1	Inlet pipe	
2	469830	6	O-ring	
3	955529	11	Hexagon screw	
	955533	1	Hexagon screw	Bracket oil cooler.
4	941907	12	Spring washer	
5	479979	1	Plug	(191026)
6	836841	1	Exhaust pipe	Replaced by 3825359
	3825359	1	Exhaust manifold	
7	467367	12	• Plug	
8	469328	12	• Gasket	
9	821335	1	• Plug	For 3825359
9A	479954	1	Nipple	
10	949918	2	Shut-off cock	
11	959797	4	Hexagon screw	L=140mm
12	941251	2	Hexagon screw	L=159mm
	959800	1	Hexagon screw	When jacketed fuel pipes are installed., L=178mm
13	941252	5	Hexagon screw	L=171mm
13A	102040	1	Hexagon screw	L=190mm
14	942336	12	Spring washer	
15	822575	6	Sealing ring	
16	470534	6	Gasket	
17	876192	1	Gasket kit	For induction manifold.
	876193	1	Gasket kit	For exhaust manifold.