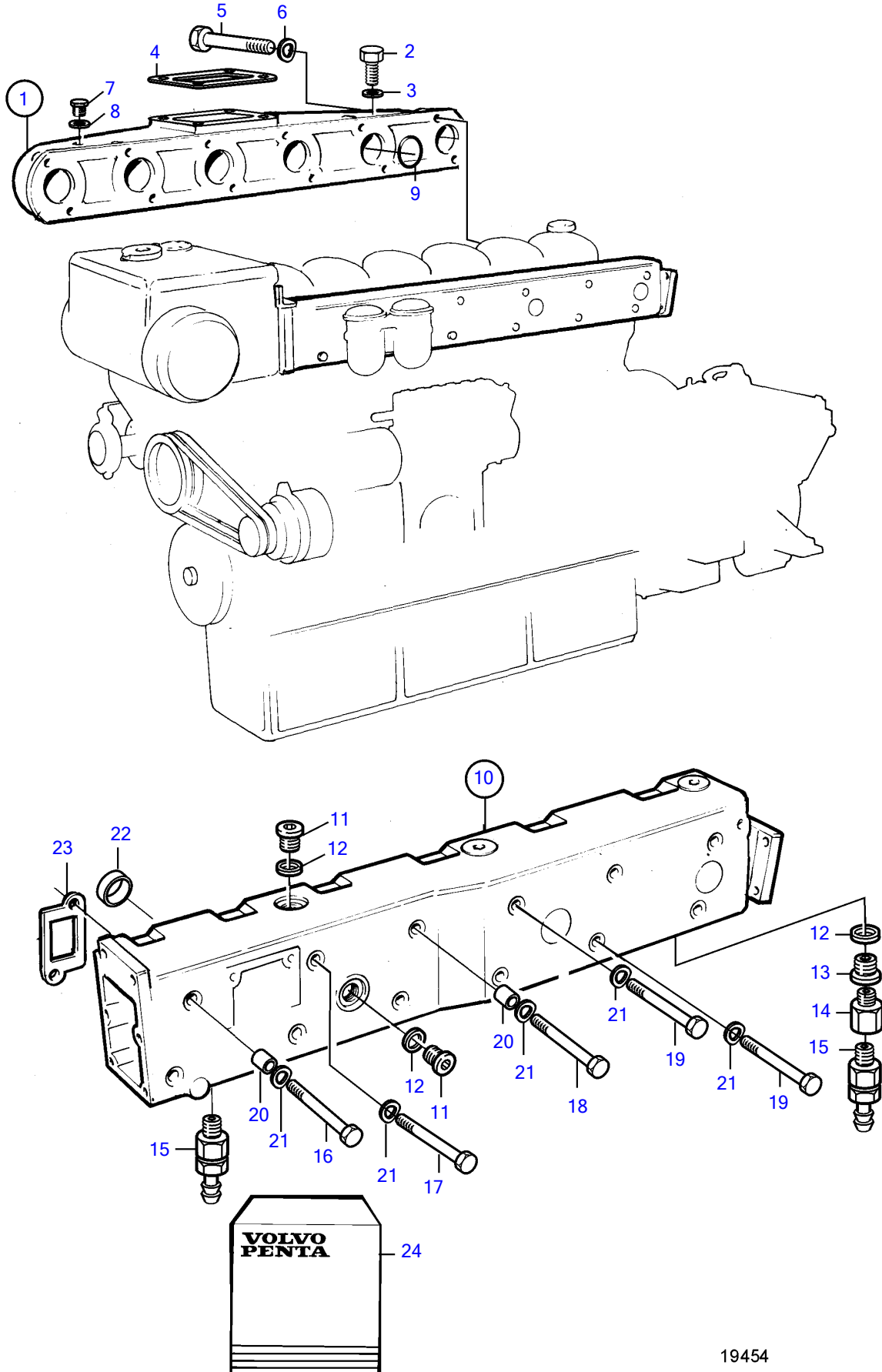


TAMD122P-B, TAMD122P-C



TAMD122P-B, TAMD122P-C

REF	PART NO.	QTY	DESCRIPTION	NOTES
1	8193866	1	Inlet pipe	(478331)
2	940113	1	Hexagon screw	
3	957171	1	Gasket	
4	424618	1	Gasket	
5	955527	10	Hexagon screw	L=57mm
	955533	1	Hexagon screw	Bracket oil cooler., L=102mm
	959793	2	Hexagon screw	L=114mm
6	941907	12	Spring washer	
7	960631	1	Plug	Without smoke eliminator.
8	11996	1	Gasket	
9	469830	6	O-ring	
10	3825359	1	Exhaust manifold	
11	467367	11	• Plug	
12	469328	12	• Gasket	
13	821335	1	• Plug	
14	479954	1	Nipple	
15	949918	2	Shut-off cock	
16	959797	3	Hexagon screw	L=140mm
17	941251	3	Hexagon screw	L=159mm
18	941252	1	Hexagon screw	L=171mm
19	102040	5	Hexagon screw	
20	827861	3	Spacer sleeve	For screws on cover.
21	942336	12	Spring washer	
22	822575	6	Sealing ring	
23	470534	6	Gasket	
24	876346	1	Intake gasket kit	For induction manifold.
	876410	1	Gasket kit	For exhaust manifold.