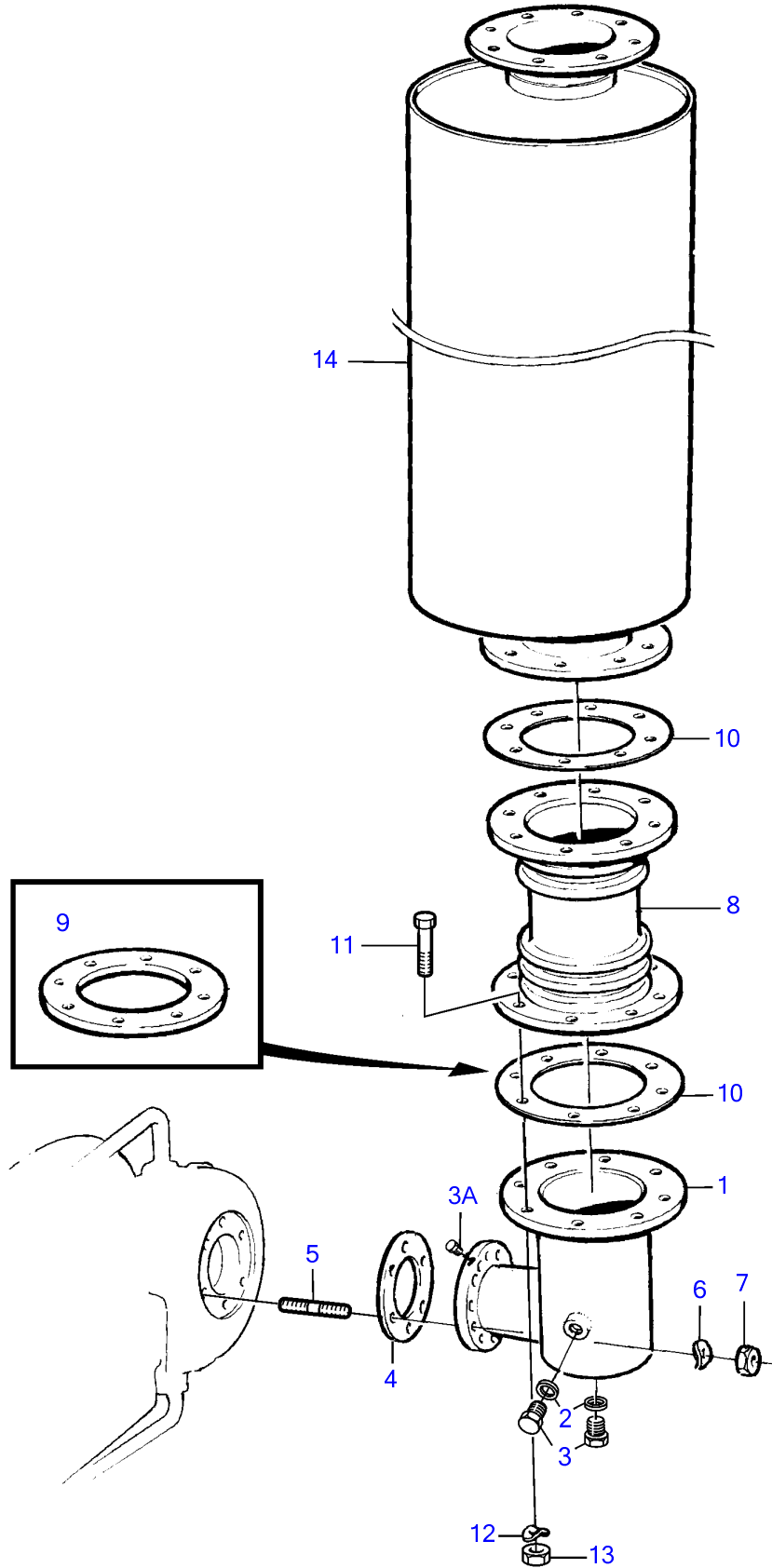


TAMD122P-A, TAMD122P-B



TAMD122P-A, TAMD122P-B

REF	PART NO.	QTY	DESCRIPTION	NOTES
1	849134	1	Exhaust riser	
2	947626	2	Gasket	
3	914392	2	Plug	
3A	479979	1	Plug	(191026)
4	863353	1	Gasket	
5	479972	6	Stud	
6	941908	6	Spring washer	
7	943927	6	Hexagon nut	
8	865300	1	Compensator	
9	849981	X	• Flange	
10	862950	X	• Gasket	
11	955366	16	• Hexagon screw	
12	941912	16	• Spring washer	
13	955785	16	• Hexagon nut	
14	849832	1	Muffler	
	3830517	1	Muffler	With spark arrestor.