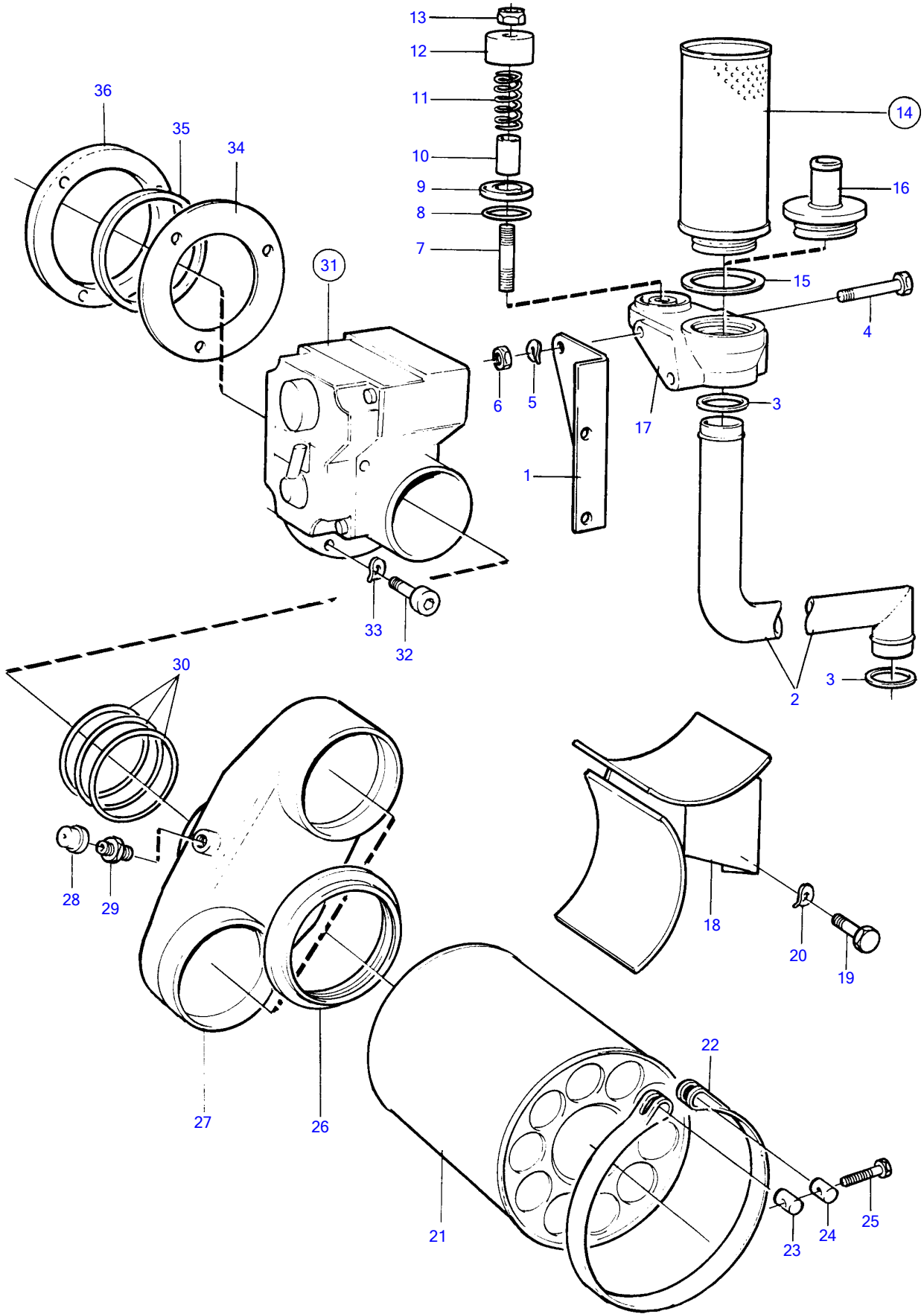


TAMD122A, TMD122A



## TAMD122A, TMD122A

REF	PART NO.	QTY	DESCRIPTION	SEE SEC.	NOTES
1	(843366)	1	Bracket		Obsolete part
2	843368	1	Breather pipe		
3	421158	2	Sealing ring		
4	955529	2	Hexagon screw		
5	941907	2	Spring washer		
6	955826	2	Hexagon nut		
7	924058	1	Stud		
8	421158	1	Sealing ring		
9	842972	1	Valve disc		
10	842974	1	Spacer sleeve		
11	843301	1	Spring		
12	842975	1	Protecting casing		
13	963105	1	Lock nut		
14	876069	1	Filter		
15	843449	1	• Gasket		
16	845260	1	Hose attachment		
17	843356	1	Connector housing		
18	842850	1	Bracket		
19	955588	2	Hexagon screw		
20	941912	2	Spring washer		
21	842280	2	Air filter		
22	821028	2	Tensioning band		
23	31404	2	Clevis pin		
24	31405	2	Pin		
25	31406	2	Hexagon screw		
26	847257	2	Sealing		
27	842853	1	Connection pipe		
28	3828765	1	Pressure drop indica		(842037)
29	191095	1	Nipple		
30	925078	3	O-ring		
31		1	Emergency stop		
			•		
			•	1156	
32	959223	2	Hex. socket screw		L=30mm
	959233	1	Hex. socket screw		L=80mm
33	941907	3	Spring washer		
34	862590	1	Gasket		
35	843703	1	Tensioning ring		
36	843704	1	Attaching ring		