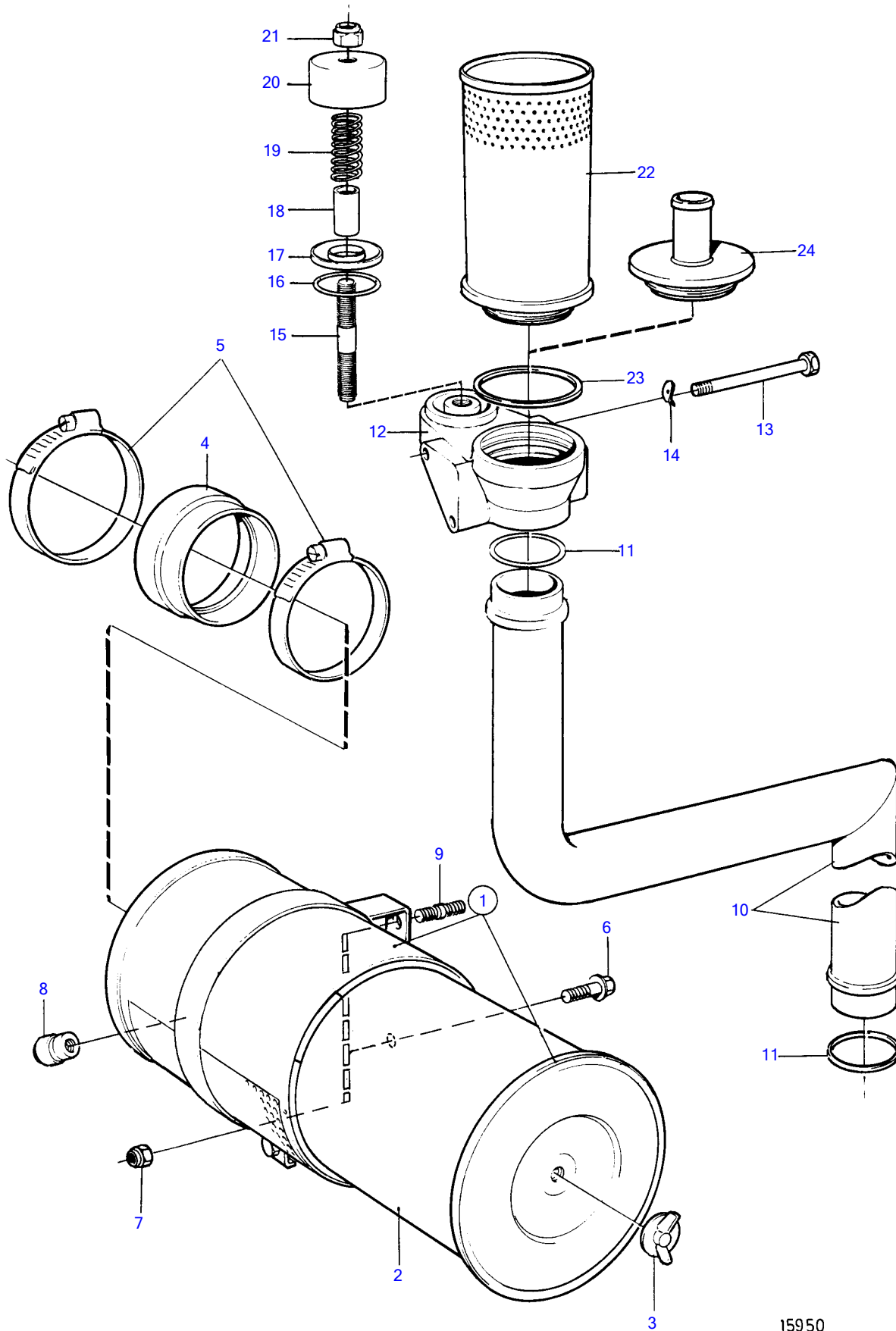


TAMD122P-A



15950

TAMD122P-A

| REF | PART NO. | QTY | DESCRIPTION | NOTES |
|-----|-----------|-----|-------------------------|---------------|
| 1 | 866517 | 1 | Air filter | |
| 2 | 3836478 | 1 | • Air filter insert | |
| 3 | 8228567 | 1 | • Wing nut, incl gasket | (3825522) |
| 4 | 866617 | 1 | Rubber collar | |
| 5 | 961907 | 2 | Hose clamp | |
| 6 | 940114 | 1 | Hexagon screw | |
| 7 | 950354 | 1 | Lock nut | |
| 8 | 3828765 | 1 | Pressure drop indica | (842037) |
| 9 | 953259 | 1 | Stud, charge air cooler | |
| 10 | (3825393) | 1 | Breather pipe | Obsolete part |
| 11 | 421158 | 2 | Sealing ring | |
| 12 | 843356 | 1 | Connector housing | |
| 13 | 955529 | 2 | Hexagon screw | |
| 14 | 941907 | 2 | Spring washer | |
| 15 | 924058 | 1 | Stud | |
| 16 | 421158 | 1 | Sealing ring | |
| 17 | 842972 | 1 | Valve disc | |
| 18 | 842974 | 1 | Spacer sleeve | |
| 19 | 843301 | 1 | Spring | |
| 20 | 842975 | 1 | Protecting casing | |
| 21 | 963105 | 1 | Lock nut | |
| 22 | 876069 | 1 | Filter | |
| 23 | 843449 | 1 | • Gasket | |
| 24 | 845260 | 1 | Hose attachment | |