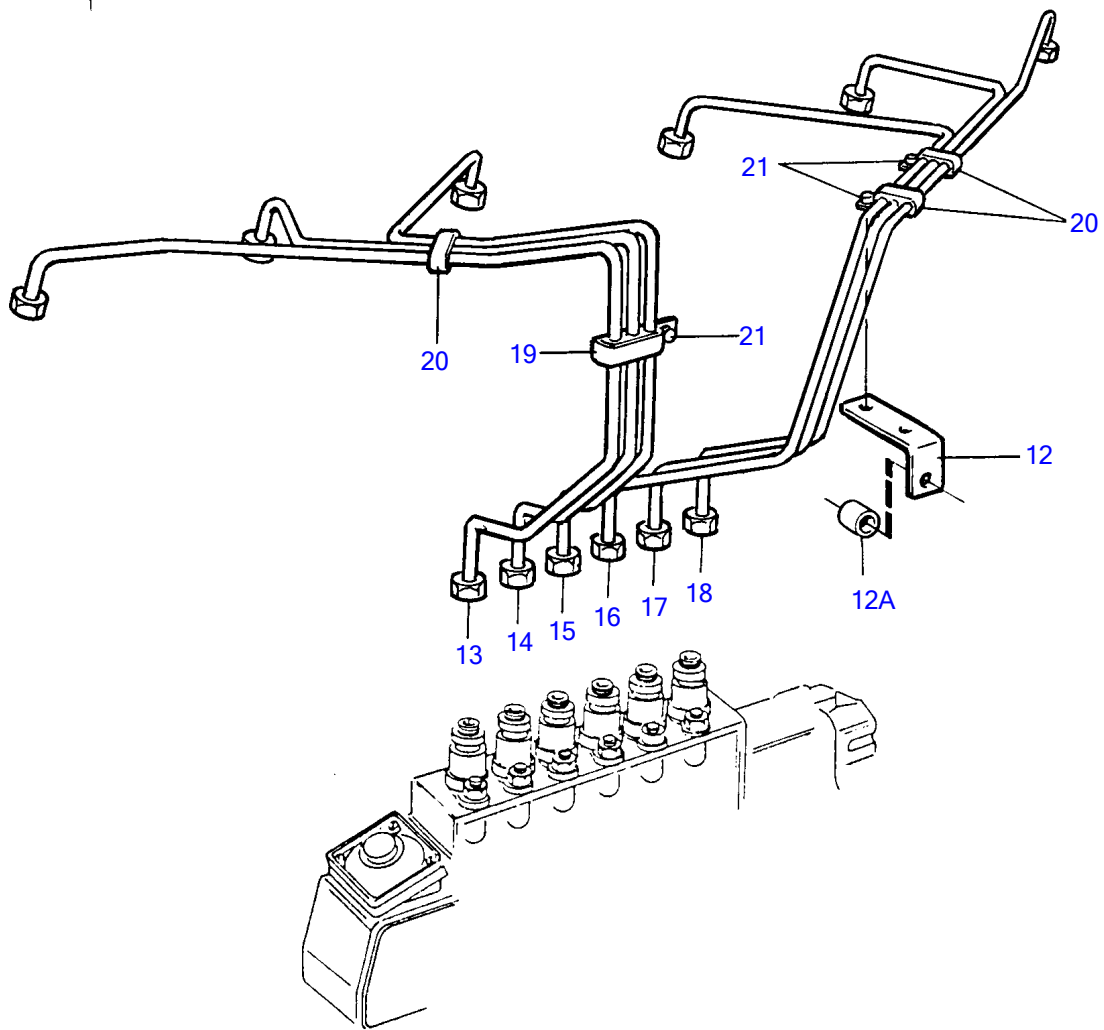
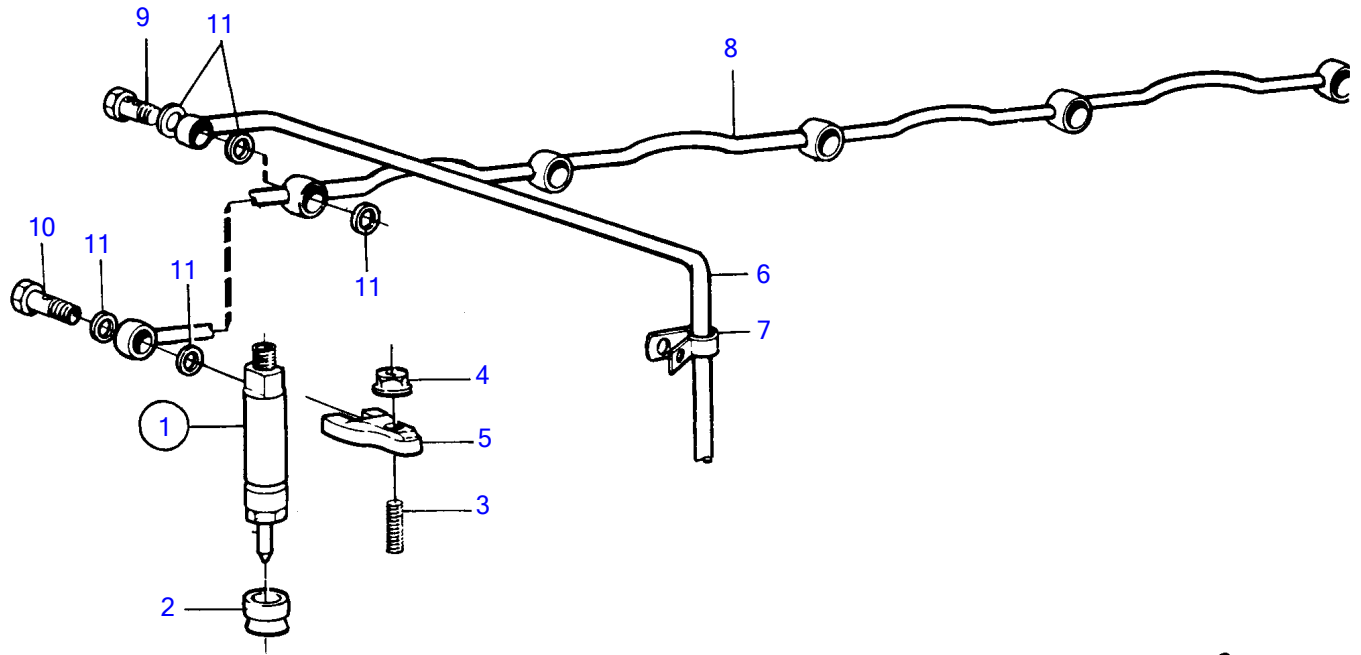


TAMD122P-A



TAMD122P-A

REF	PART NO.	QTY	DESCRIPTION	SEE SEC.	NOTES
1	3825248	6	Injector		E.U=3803300
	3803300	6	Injector, exch		E.U=3803300
			.	2109	
			.	3026	
2	469455	6	Sealing ring		
3	470560	6	Stud		
4	971095	6	Flange nut		
5	469797	6	Yoke		
6	844543	1	Leak-off line		
7	947191	1	Clamp		
8	822564	1	Leak-off line		
9	966834	1	Hollow screw		(74034)
10	74033	5	Hollow screw		
11	947620	13	Gasket		
12	844659	2	Attaching plate		
12A	912130	2	Spacer ring		
13	866820	1	Delivery pipe		
14	866821	1	Delivery pipe		
15	866822	1	Delivery pipe		
16	866823	1	Delivery pipe		
17	866824	1	Delivery pipe		
18	866825	1	Delivery pipe		
19	8194352	2	Clamp		
20	8194328	3	Clamp		
21		4	Screw		