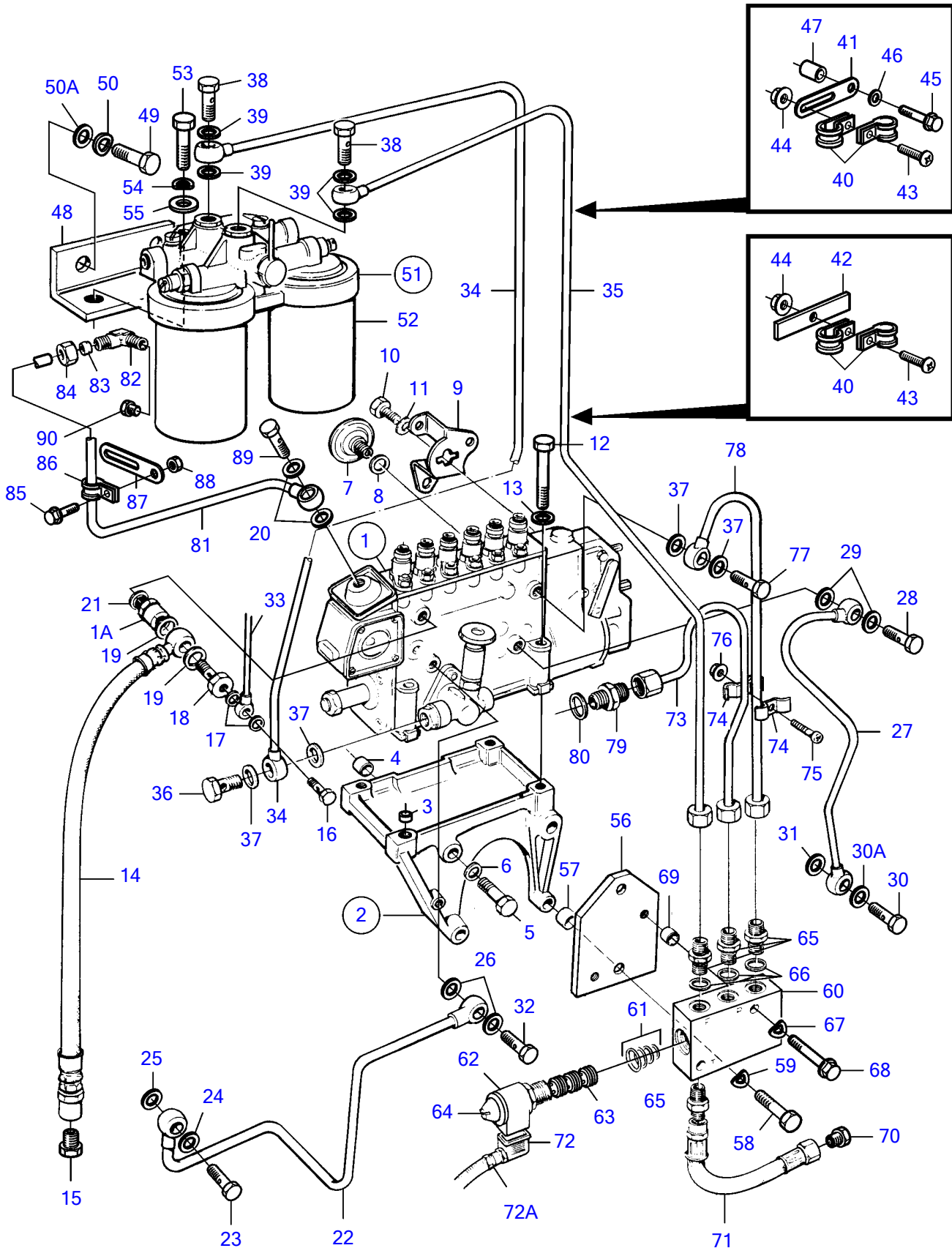


TAMD122A



TAMD122A

REF	PART NO.	QTY	DESCRIPTION	SEE SEC.	NOTES
1				2094	
	3832705	1	Injection pump		With RSV governor., 280kW/1800rpm
	3803812	1	Injection pump, exch		With RSV governor., 280kW/1800rpm
				6014	
	3832706	1	Injection pump		With RSV governor., 294kW/1900rpm
	3803813	1	Injection pump, exch		With RSV governor., 294kW/1900rpm
				6014	
	3832707	1	Injection pump		With GAC governor., 247kW/1500rpm
	3803814	1	Injection pump, exch		With GAC governor., 247kW/1500rpm
				6014	
	3832708	1	Injection pump		With GAC governor., 280kW/1800rpm
	3803815	1	Injection pump, exch		With GAC governor., 280kW/1800rpm
				6014	
				2094	
				2171	
1A	3825154	1	• Overflow valve		
2	478647	1	Bracket		
3	417588	1	• Guide sleeve		
4	(423161)	2	• Guide sleeve		Obsolete part
5	955566	2	Hexagon screw		
6	940280	4	Spring washer		
7	477173	1	Pressure equalizer		
8	969011	1	Gasket		
9	848677	1	Intermediate lever		
10	955270	1	Hexagon screw		
11	941906	1	Spring washer		
12	940156	4	Hexagon screw		
13	190509	4	Washer		
14	3830312	1	Hose		
15	22753	1	Nipple		
16	74033	1	Hollow screw		
17	947620	2	Gasket		
18	16496	1	Hollow screw		
19	969011	2	Gasket		
20	11994	2	Gasket		
21	11996	1	Gasket		
22	470514	1	Oil pressure pipe		
23	837709	1	Hollow screw		Connected together with oil pressure pipe for power take off.
24	11994	1	Gasket		
25	18666	1	Gasket		
26	947281	2	Gasket		
27	422246	1	Return pipe		
28	25167	1	Hollow screw		
29	947281	2	Gasket		
30	942007	1	Hollow screw		
30A	11998	1	Gasket		
31	942703	1	Gasket		
32	48634	1	Hollow screw		
33	844543	1	Leak-off line		
34	3825140	1	Fuel pipe		
35	3825141	1	Fuel pipe		
36	25167	1	Hollow screw		
37	969011	4	Gasket		
38	25167	2	Hollow screw		
39	969011	4	Gasket		
40	952625	4	Clamp		
41	965535	1	Bracket		
42	(821076)	1	Anchorage		Obsolete part
43	950047	2	Cross recessed screw		
44	955825	2	Hexagon nut		
45	959802	1	Hexagon screw		
46	942336	1	Spring washer		
47	821539	1	Spacer sleeve		

7746700-23-2078B

23208

Upd:2012-02-22

TAMD122A, TMD122A, TAMD122P-A, TAMD122P-B, TAMD122P-C

TAMD122A

REF	PART NO.	QTY	DESCRIPTION	SEE SEC.	NOTES
48	845319	1	Bracket		
49	940160	2	Hexagon screw		
50	941909	2	Spring washer		
50A	960144	2	Washer		
51	864399	1	Fuel filter		
				2093	
52	3825133	2	Fuel filter		
53	940114	2	Hexagon screw		
54	942336	2	Spring washer		
55	960142	2	Washer		
56	3826145	1	Bracket		(3825601)
57	1678297	2	Spacer sleeve		
58	955570	2	Hexagon screw		
59	940280	2	Spring washer		
60	3828983	1	Valve		
61	3828981	1	• Gasket kit		
62	3825240	1	• Magnet		
63	3825235	1	• Valve		
64		1	• Nut		
65	941754	4	• Nipple		
66	969011	4	• Gasket		
67	976944	2	Washer		(966674)
68	973924	2	Flange screw		
69	843075	2	Spacer sleeve		
70	22753	1	Nipple		
71	3830309	1	Hose		
72	866664	1	Housing		
72A	844576	1	Grommet		
73	3826765	1	Fuel pipe		
74	404279	2	Attaching clamp		
75	950047	1	Cross recessed screw		
76	955825	1	Hexagon nut		
77	25167	1	Hollow screw		
78	3826766	1	Fuel pipe		
79	941754	1	Nipple		
80	969011	1	Gasket		
81	863160	1	Tube		
82	954386	1	Elbow nipple		
83	954365	1	Fitting		
84	954357	1	Fitting nut		
85	946544	2	Flange screw		
86	952624	2	Clamp		
87	965535	1	Bracket, water pump		
	965534	1	Bracket, induction manifold		
88	945407	2	Flange nut		
89	969299	1	Hollow screw		
90	479979	1	Plug		