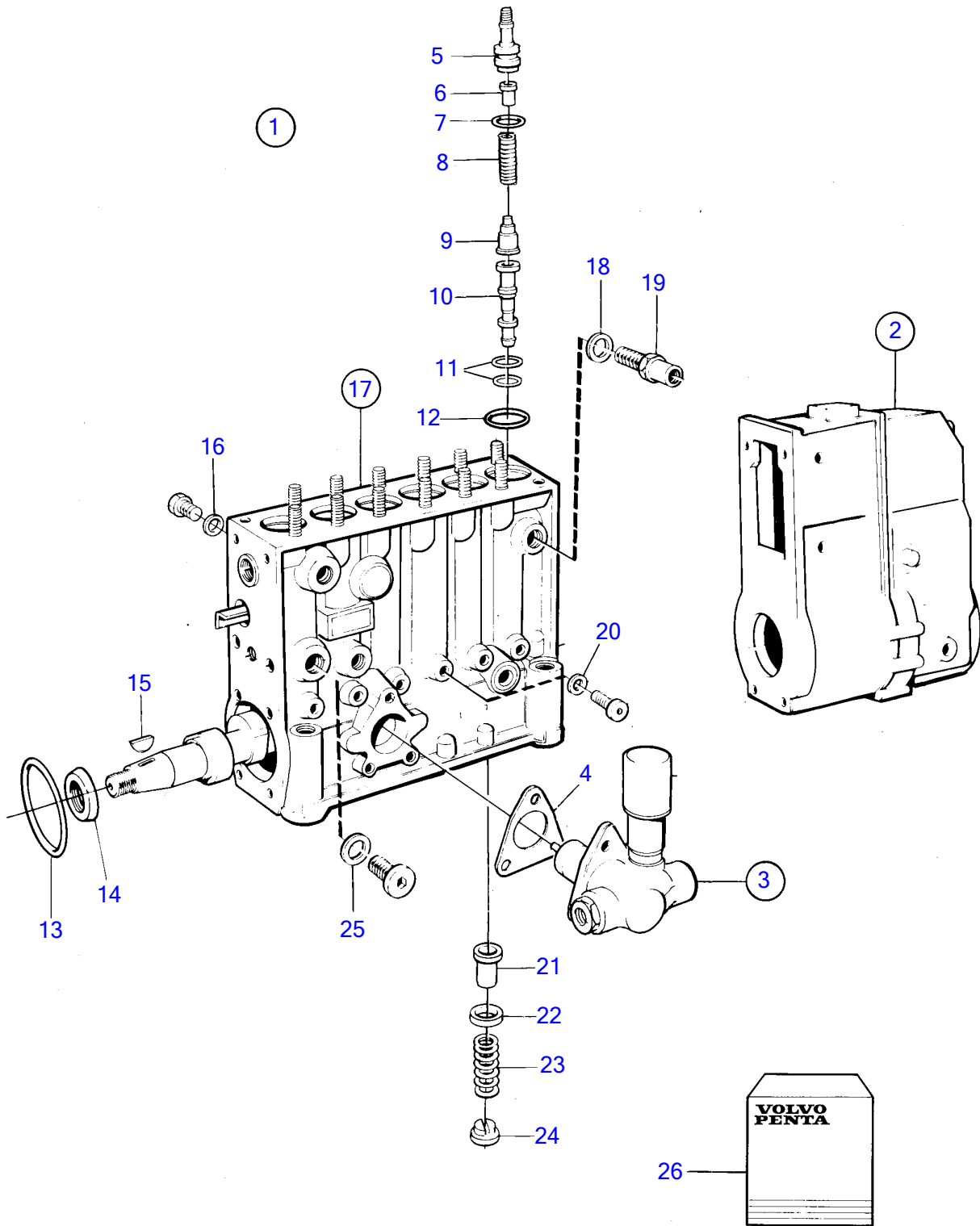


TAMD122P-A



16759

TAMD122P-A

REF	PART NO.	QTY	DESCRIPTION	SEE SEC.	NOTES
1	866737	1	Injection pump		
	3803781	1	Injection pump, exch		
2	(3825498)	1	• Governor		Obsolete part
			•		
			•	3078	
3	3825429	1	• Feed pump		
			•		
			•	2711	
4	863370	1	• Gasket		(6232208)
5		6	• Retainer		
6	1699453	6	• Peg		
7	862400	6	• O-ring		
8	1699454	6	• Compression spring		
9		6	• Delivery valve		
10	863498	6	• Pump element tappet		
11	240422	12	• O-ring		
12	1699458	6	• Sealing ring		
13	862423	1	• O-ring		
14	3825543	1	• Sealing ring		
15	35168	1	• Key		
16	969011	1	• Gasket		
17		1	• Housing		
18	11996	1	• Gasket		
19	3825154	1	• Overflow valve		
20		6	• Gasket		
21	862406	6	• Control sleeve		
22	239984	6	• Spring disc		
23	862407	6	• Compression spring		
24	862408	6	• Spring disc		
25	240017	6	• Gasket		
26	862425	1	Spare parts kit		