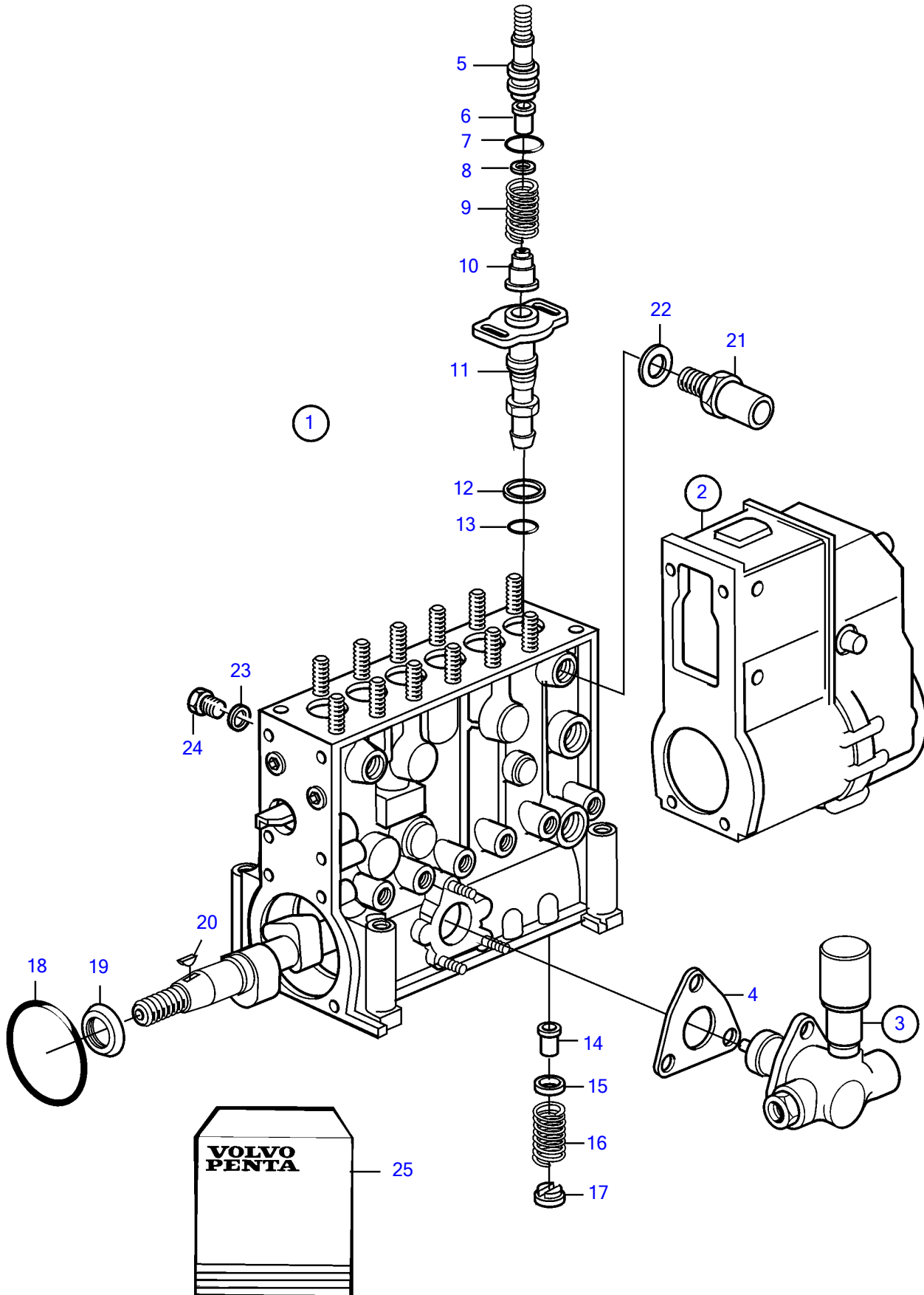


TAMD122P-B, TAMD122P-C



TAMD122P-B, TAMD122P-C

REF	PART NO.	QTY	DESCRIPTION	SEE SEC.	NOTES
1	3826196	1	Injection pump		
	3803786	1	Injection pump, exch		
2	(3825500)	1	• Governor		Obsolete part
			• • parts not sold separately		
3	863474	1	• Feed pump		
			• •		
			•	460	
4	863370	1	• Gasket		(6232208)
5	3828814	6	• Delivery valve retai		
6	1699453	6	• Peg		
7	862400	6	• O-ring		
8		6	• Washer, spacer		TH=0.50mm
		6	• Washer, spacer		TH=0.20mm
9	1699454	6	• Compression spring		
10	3829206	6	• Delivery valve		
11	(3832481)	6	• Pump element tappet		Obsolete part
12	(3094382)	12	• Support ring		Obsolete part
13	862402	6	• O-ring		
14	862406	6	• Control sleeve		
15	239984	6	• Spring disc		
16	(1699465)	6	• Compression spring		Obsolete part
17	862408	6	• Spring disc		
18	862423	1	• O-ring		
19	3828816	1	• Sealing ring		
20	35168	1	• Key		
21	11996309	1	• Overflow valve		
22	11996	1	• Gasket		
23	239897	3	• Sealing ring		
24		3	• Plug		
25	11998401	1	Small parts kit		