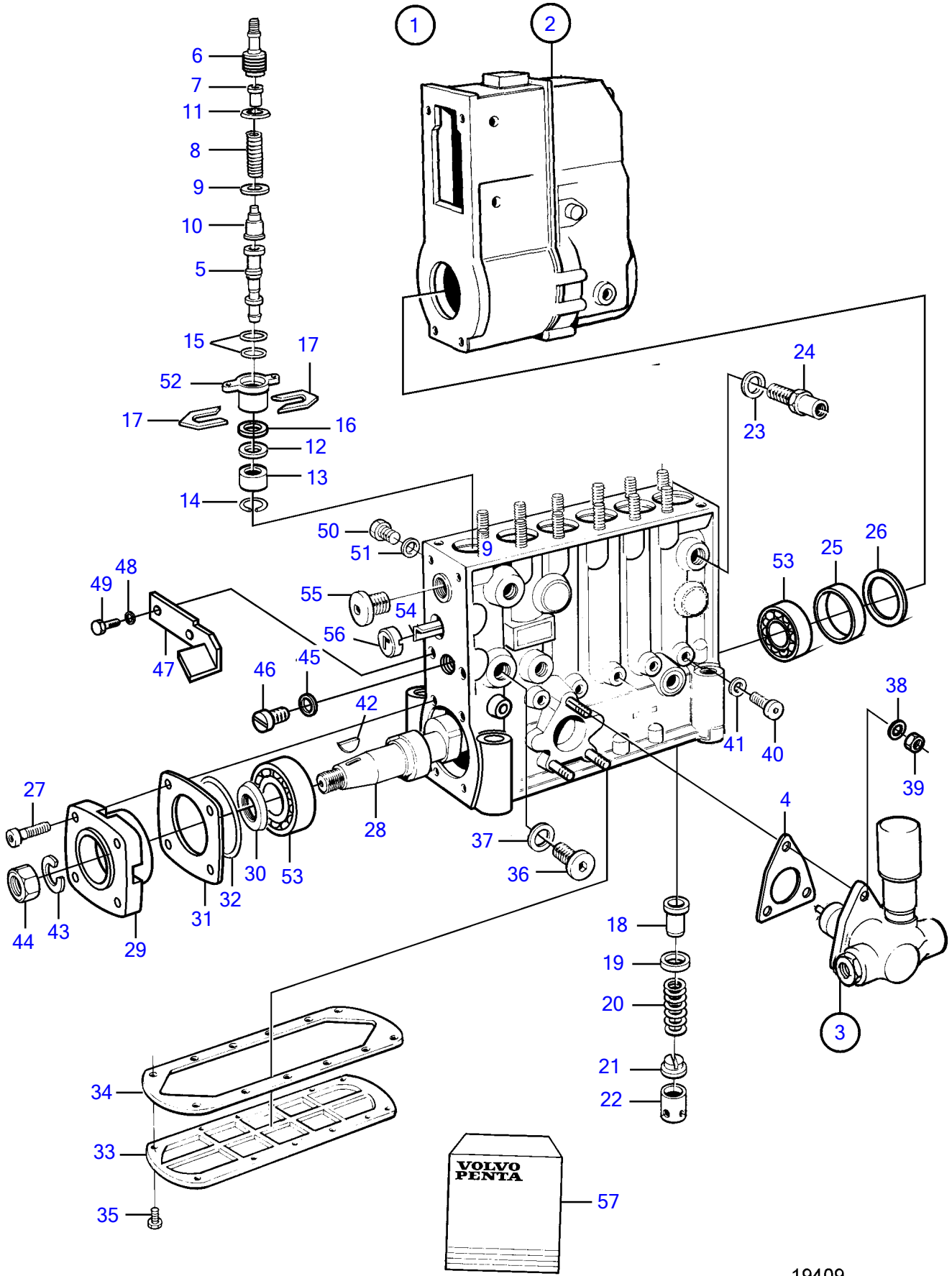


TAMD122A, TMD122A



TAMD122A, TMD122A

REF	PART NO.	QTY	DESCRIPTION	SEE SEC.	NOTES
1	3828439	1	Injection pump		
	3803748	1	Injection pump, exch		
2	(3825267)	1	• Governor		Obsolete part
			• •		
			•	6015	
			• •		
			•	6015	
3	244825	1	• Feed pump		
			• •		
			•	600	
4	863370	1	• Gasket		Included in small parts kit.
5	11999429	6	• Pump element tappet		
6	(243742)	6	• Retainer		Obsolete part
7	(3825004)	6	• Spring disc		Obsolete part
8	1699454	6	• Compression spring		
9	239993	6	• Sealing washer		Included in small parts kit.
10	3829796	6	• Delivery valve		
11	240001	6	• O-ring		Included in small parts kit.
12	(241677)	6	• Washer		Obsolete part
13	(239991)	6	• Cover		Obsolete part
14	(1697953)	6	• Lock ring		Included in small parts kit., Obsolete part
15	240422	12	• O-ring		Included in small parts kit.
16	11994488	6	• Sealing ring		Included in small parts kit.
17		X	• Shim		
18	(240782)	6	• Control sleeve		Obsolete part
19	239984	6	• Spring disc		
20	244731	6	• Compression spring		
21	244685	6	• Spring disc		
22		6	• Piston		
23	11996	1	• Gasket		Included in small parts kit.
24	3825154	1	• Overflow valve		
25		1	• Ring		
26		1	• Ring		
27		4	• Screw		
28		1	• Camshaft		
29		1	• Lock		
30	864299	1	• Camshaft seal		Included in small parts kit.
31		1	• Plate		
32	243299	1	• O-ring		Included in small parts kit.
33		1	• Lock		
34	1699581	1	• Gasket		Included in small parts kit.
35		12	• Screw		
36		1	• Plug		
37	240017	1	• Gasket		Included in small parts kit.
38		3	• Spring washer		Included in small parts kit.
39		3	• Nut		
40		1	• Plug		
41	18836	1	• Gasket		Included in small parts kit.
42	35168	1	• Key		Included in small parts kit.
43		1	• Spring washer		Included in small parts kit.
44		1	• Nut		
45		1	• Gasket		Included in small parts kit.
46		1	• Plug		
47		1	• Turn signal		
48		1	• Spring washer		
49		1	• Screw		
50		1	• Plug		
51	239897	1	• Sealing ring		Included in small parts kit.
52		1	• Bushing		
53		2	• Roller bearing		
54		1	• Control rod		
55		1	• Plug		
56	(240014)	1	• Bushing		Obsolete part

TAMD122A, TMD122A

REF	PART NO.	QTY	DESCRIPTION	SEE SEC.	NOTES
57	845240	1	Repair kit		