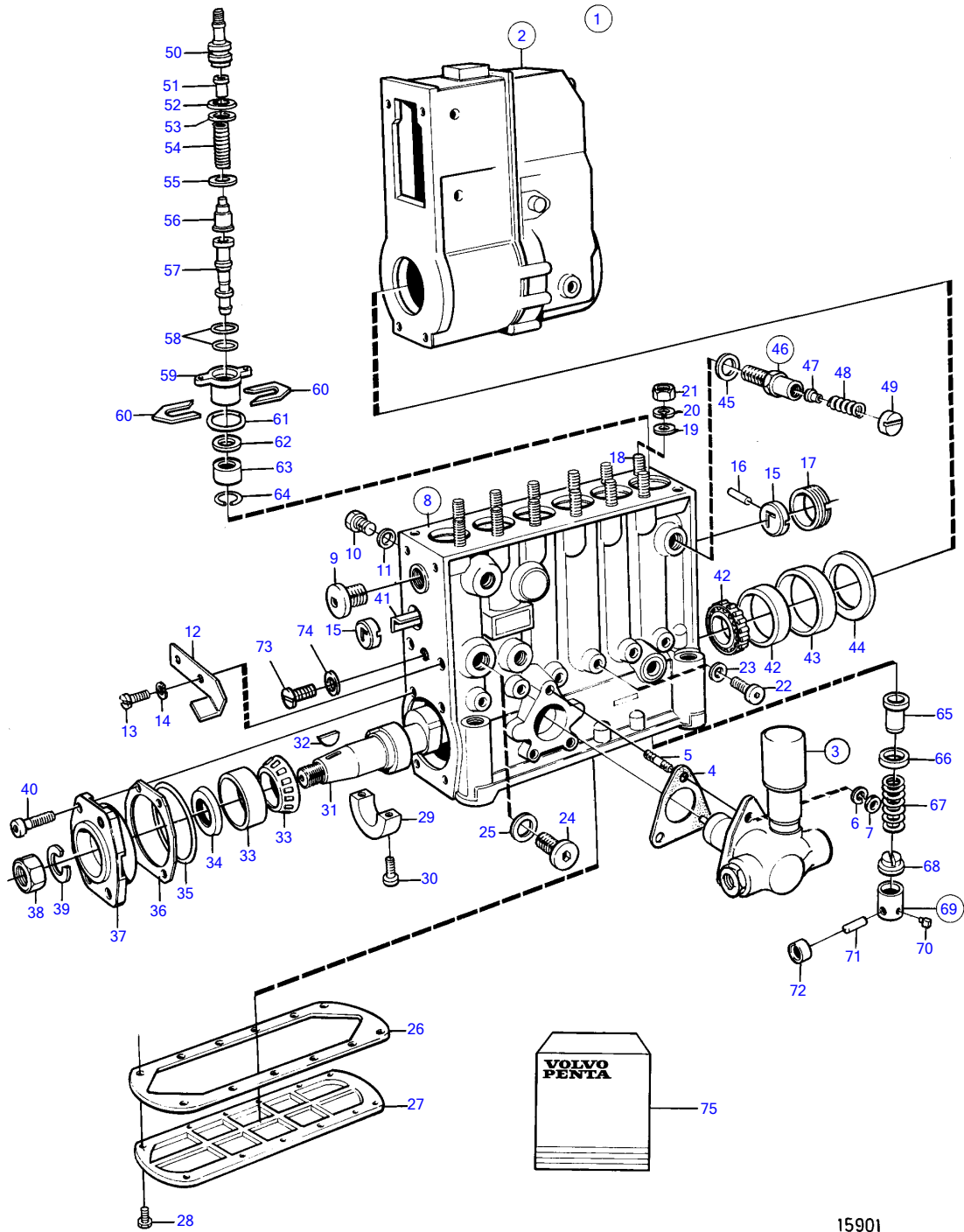


TMD122A



15901

TMD122A

| REF | PART NO. | QTY | DESCRIPTION | SEE SEC. | NOTES |
|-----|-----------|-----|------------------------|--------------|-------------------------------------|
| 1 | 3826532 | 1 | Injection pump | | |
| | 3803790 | 1 | Injection pump, exch | | |
| 2 | | | | 2122 2128 | |
| | 3826533 | 1 | • Governor | 6039 | |
| 3 | 244825 | 1 | • Feed pump | 2092 | |
| 4 | 863370 | 1 | • Gasket | | |
| 5 | (130673) | 3 | • Stud | | Obsolete part |
| 6 | 949607 | 3 | • Spring washer | | |
| 7 | 940197 | 3 | • Hexagon nut | | |
| 8 | | 1 | • Housing | | |
| 9 | (844988) | 1 | • Plug | | Obsolete part |
| 10 | 847439 | 1 | • Screw | | |
| 11 | 969011 | 1 | • Gasket | | |
| 12 | (241647) | 1 | • Turn signal | | Obsolete part |
| 13 | 956092 | 2 | • Cross recessed screw | | |
| 14 | 949607 | 2 | • Spring washer | | |
| 15 | (240014) | 2 | • Bushing | | Obsolete part |
| 16 | (244008) | 1 | • Spring pin | | Obsolete part |
| 17 | (244699) | 1 | • Washer | | Obsolete part |
| 18 | (862403) | 12 | • Stud | | Obsolete part |
| 19 | (243743) | 12 | • Washer | | Obsolete part |
| 20 | (1328134) | 12 | • Washer | | Obsolete part |
| 21 | 943927 | 12 | • Hexagon nut | | |
| 22 | 960628 | 6 | • Plug | | (180707) |
| 23 | 18836 | 6 | • Gasket | | |
| 24 | (243263) | 1 | • Sealing plug | | Obsolete part |
| 25 | 240017 | 1 | • Gasket | | |
| 26 | 863371 | 1 | • Gasket | | |
| 27 | (240947) | 1 | • Cover | | Obsolete part |
| 28 | (244732) | 12 | • Screw | | Obsolete part |
| 29 | 244406 | 1 | • Bearing | | |
| 30 | (849468) | 2 | • Screw | | Obsolete part |
| 31 | (1698080) | 1 | • Camshaft | | Obsolete part |
| 32 | 35168 | 1 | • Key | | |
| 33 | 240023 | 1 | • Roller bearing | | |
| 34 | 864299 | 1 | • Camshaft seal | | |
| 35 | 243299 | 1 | • O-ring | | |
| 36 | (240024) | X | • Shim | | TH=0,10mm, Obsolete part |
| | (240025) | X | • Shim | | TH=0,12mm, Obsolete part |
| | (240026) | X | • Shim | | TH=0,14mm, Obsolete part |
| | (240027) | X | • Shim | | TH=0,16mm, Obsolete part |
| | (240028) | X | • Shim | | TH=0,18mm, Obsolete part |
| | (240029) | X | • Shim | | TH=0,30mm, Obsolete part |
| | (240030) | X | • Shim | | TH=0,50mm, Obsolete part |
| 37 | (240021) | 1 | • Bearing cover | | Obsolete part |
| 38 | 955806 | 1 | • Hexagon nut | | |
| 39 | 941913 | 1 | • Spring washer | | |
| 40 | (1698078) | 4 | • Screw | | Obsolete part |
| 41 | (244531) | 1 | • Control rod | | Obsolete part |
| 42 | 240023 | 1 | • Roller bearing | | |
| 43 | (240032) | 1 | • Ring | | Obsolete part |
| 44 | (240033) | X | • Shim | | TH=1,20mm, Obsolete part |
| | (240034) | X | • Shim | | TH=1,50mm, Obsolete part |
| | (240035) | X | • Shim | | TH=1,80mm, Obsolete part |
| | (240036) | X | • Shim | | TH=2,00mm, Obsolete part |
| 45 | 11996 | 1 | • Gasket | | |
| 46 | 479775 | 1 | • Overflow valve | | For engines without shut-off valve. |
| | 3825154 | 1 | • Overflow valve | | For engines with shut-off valve. |
| 50 | 244636 | 6 | • Retainer | | |
| 51 | 240971 | 6 | • Peg | | |

TMD122A

| REF | PART NO. | QTY | DESCRIPTION | SEE SEC. | NOTES |
|-----|-----------|-----|-----------------------|----------|--------------------------|
| 52 | 240972 | X | • Washer | | TH=0,20mm |
| | 240973 | 998 | • Washer | | TH=0,50mm |
| 53 | 240001 | 6 | • O-ring | | |
| 54 | 240969 | 6 | • Compression spring | | |
| 55 | 239993 | 6 | • Sealing washer | | |
| 56 | 846188 | 6 | • Delivery valve | | |
| 57 | 11999429 | 6 | • Pump element tappet | | (865798) |
| 58 | 240422 | 12 | • O-ring | | |
| 59 | (244733) | 6 | • Bushing | | Obsolete part |
| 60 | (844990) | X | • Adjusting washer | | TH=0,40mm, Obsolete part |
| | (847428) | X | • Adjusting plate | | TH=0,45mm, Obsolete part |
| | (844991) | X | • Adjusting washer | | TH=0,50mm, Obsolete part |
| | (847429) | X | • Adjusting plate | | TH=0,60mm, Obsolete part |
| | (844992) | X | • Adjusting washer | | TH=0,70mm, Obsolete part |
| | (244908) | X | • Shim | | TH=0,75mm, Obsolete part |
| | (844993) | X | • Adjusting washer | | TH=0,80mm, Obsolete part |
| | (847430) | X | • Adjusting plate | | TH=0,85mm, Obsolete part |
| | (845238) | X | • Washer | | TH=0,90mm, Obsolete part |
| | (244909) | X | • Shim | | TH=0,95mm, Obsolete part |
| | (844994) | X | • Adjusting washer | | TH=1,00mm, Obsolete part |
| | (244910) | X | • Shim | | TH=1,05mm, Obsolete part |
| | (844995) | X | • Adjusting washer | | TH=1,10mm, Obsolete part |
| | (244911) | X | • Shim | | TH=1,15mm, Obsolete part |
| | (244633) | X | • Shim | | TH=1,20mm, Obsolete part |
| | (844996) | X | • Adjusting washer | | TH=1,25mm, Obsolete part |
| | (244634) | X | • Shim | | TH=1,30mm, Obsolete part |
| | (847431) | X | • Adjusting plate | | TH=1,35mm, Obsolete part |
| | (244635) | X | • Shim | | TH=1,40mm, Obsolete part |
| | (847432) | X | • Adjusting plate | | TH=1,45mm, Obsolete part |
| | (244381) | X | • Shim | | TH=1,50mm, Obsolete part |
| | (244912) | X | • Shim | | TH=1,55mm, Obsolete part |
| | (244382) | X | • Shim | | TH=1,60mm, Obsolete part |
| | (244913) | X | • Shim | | TH=1,65mm, Obsolete part |
| | (244383) | X | • Shim | | TH=1,70mm, Obsolete part |
| | (244914) | X | • Shim | | TH=1,75mm, Obsolete part |
| | (244384) | X | • Shim | | TH=1,80mm, Obsolete part |
| | (244385) | X | • Shim | | TH=1,90mm, Obsolete part |
| | (244386) | X | • Shim | | TH=2,00mm, Obsolete part |
| | (847433) | X | • Adjusting plate | | TH=2,10mm, Obsolete part |
| | (244915) | X | • Shim | | TH=2,15mm, Obsolete part |
| | (244916) | X | • Shim | | TH=2,20mm, Obsolete part |
| 61 | 11994488 | 6 | • Sealing ring | | |
| 62 | (241677) | 6 | • Washer | | Obsolete part |
| 63 | (239991) | 6 | • Cover | | Obsolete part |
| 64 | (1697953) | 6 | • Lock ring | | Obsolete part |
| 65 | (3825008) | 6 | • Control sleeve | | Obsolete part |
| 66 | 239984 | 6 | • Spring disc | | |
| 67 | 244731 | 6 | • Compression spring | | |
| 68 | 244685 | 6 | • Spring disc | | |
| 69 | (1698077) | 6 | • Tappet | | Obsolete part |
| 70 | (238379) | 6 | • • Plate | | Obsolete part |
| 71 | (240779) | 6 | • • Bearing bolt | | Obsolete part |
| 72 | (1698299) | 6 | • • Roller | | Obsolete part |
| 75 | 865233 | 1 | Mounting kit | | |