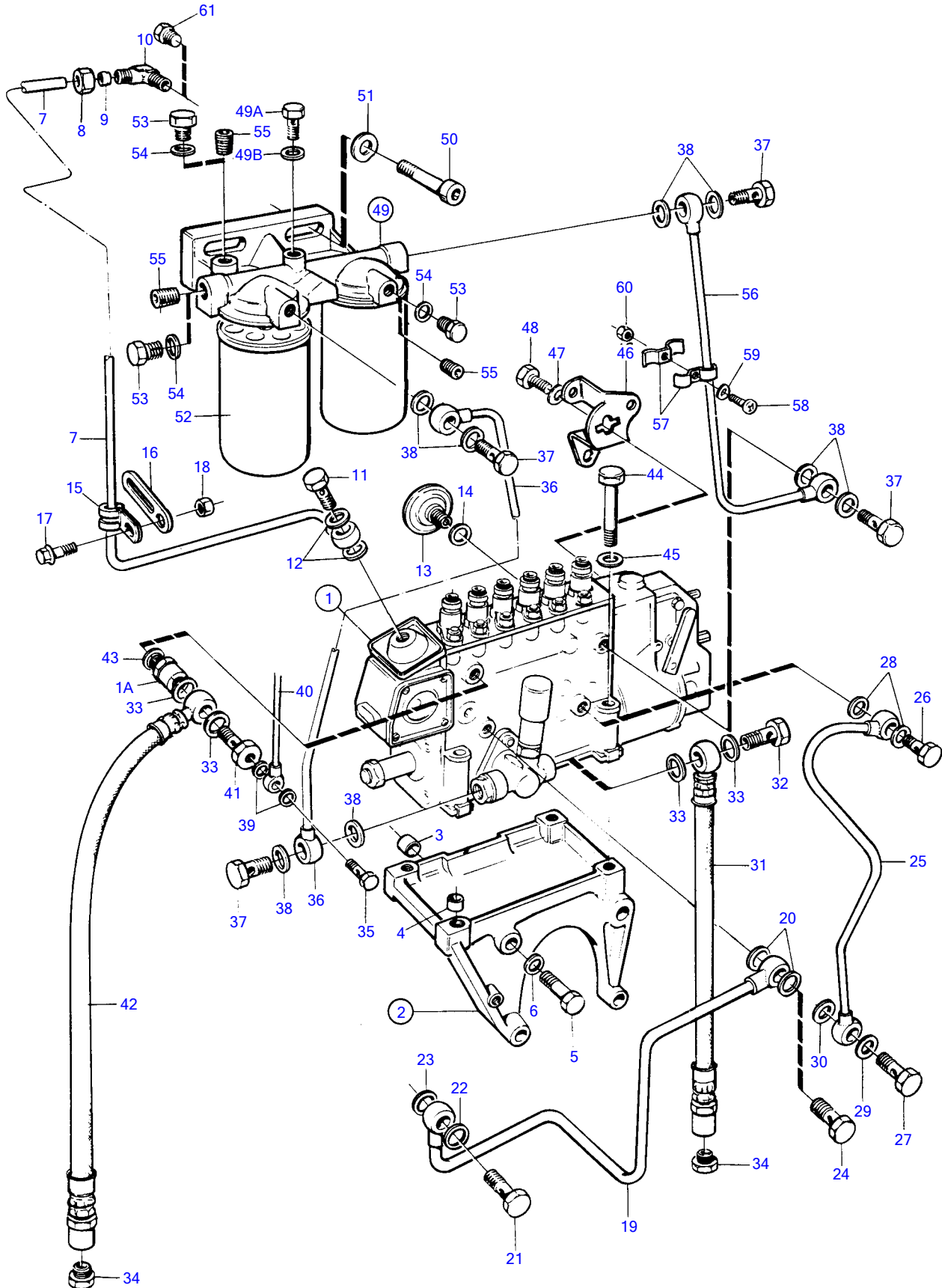


TMD122A



TMD122A

REF	PART NO.	QTY	DESCRIPTION	SEE SEC.	NOTES
1	3826532	1	Injection pump		With RSV governor.
	3803790	1	Injection pump, exch		With RSV governor.
			.	2094	
			.	6014	
			.	6014	
			.	6014	
			.	6014	
	863798	1	Injection pump, aux		With RQV governor
	3803769	1	Injection pump, aux, exch		With RQV governor
			.	2094	
	866205	1	Injection pump, aux		With GAC governor.
	3803778	1	Injection pump, aux, exch		With GAC governor.
			.	2171	
1A	3825154	1	• Overflow valve		M16
1	479775	1	• Overflow valve		M14 (35096)
2	478647	1	Bracket		
3	(423161)	2	• Guide sleeve		Obsolete part
4	417588	1	• Guide sleeve		
5	955566	4	Hexagon screw		
6	940280	4	Spring washer		
7	863160	1	Tube		
8	954357	1	Fitting nut		
9	954365	1	Fitting		
10	954386	1	Elbow nipple		
11	969299	1	Hollow screw		
12	947282	2	Gasket		
13	477173	1	Pressure equalizer		
14	969011	1	Gasket		
15	952624	2	Clamp		
16	965535	1	Bracket, water pump		
	965534	1	Bracket, induction manifold		
17	946544	2	Flange screw		
18	945407	2	Flange nut		
19	470514	1	Oil pressure pipe		
20	947281	2	Gasket		
21	837709	1	Hollow screw		Connected together with oil pressure pipe for power take off.
22	11994	1	Gasket		
23	18666	1	Gasket		
24	48634	1	Hollow screw		
25	422246	1	Return pipe		
26	25167	1	Hollow screw		
27	942007	1	Hollow screw		
28	947281	2	Gasket		
29	11998	1	Gasket		
30	942703	1	Gasket		
31	845372	1	Fuel hose		L=300mm, repl by 866964
	3830312	1	Hose		L=710mm (866964)
32	25167	1	Hollow screw		
33	969011	4	Gasket		
34	22753	2	Nipple		
35	74033	1	Hollow screw		
36	863916	1	Fuel pipe		
37	25167	4	Hollow screw		
38	969011	8	Gasket		
39	947620	2	Gasket		
40	844543	1	Leak-off line		

TMD122A

REF	PART NO.	QTY	DESCRIPTION	SEE SEC.	NOTES
41	16496	1	Hollow screw		
42	849076	1	Fuel hose		L=300mm, repl by 866964
	3830312	1	Hose		L=710mm (866964)
43	15304	1	Gasket		
44	940156	4	Hexagon screw		
45	190509	4	Washer		
46	848677	1	Intermediate lever		
47	941906	1	Spring washer		
48	955271	1	Hexagon screw		
49	471172	1	Filter housing		SN-XXXXXXXXXX/210795 Replaced by 1676832
	8194541	1	Fuel filter housing		SNXXXXXXXXXX/210796- (1676832)
49A	471177	1	Hollow screw		(243005)
49B	947620	1	Gasket		
50	940162	2	Hexagon screw		
51	942336	2	Spring washer		
52	3825133	2	Fuel filter		
53	960630	3	Plug		For 471172
54	969011	3	Gasket		For 471172
55	968062	3	Plug		Tapered, with sealant., For 1676832
56	822591	1	Fuel pipe		
57	404279	2	Attaching clamp		
58	950047	1	Cross recessed screw		
59	949607	1	Spring washer		
60	955825	1	Hexagon nut		
61	479979	1	Plug		Aux