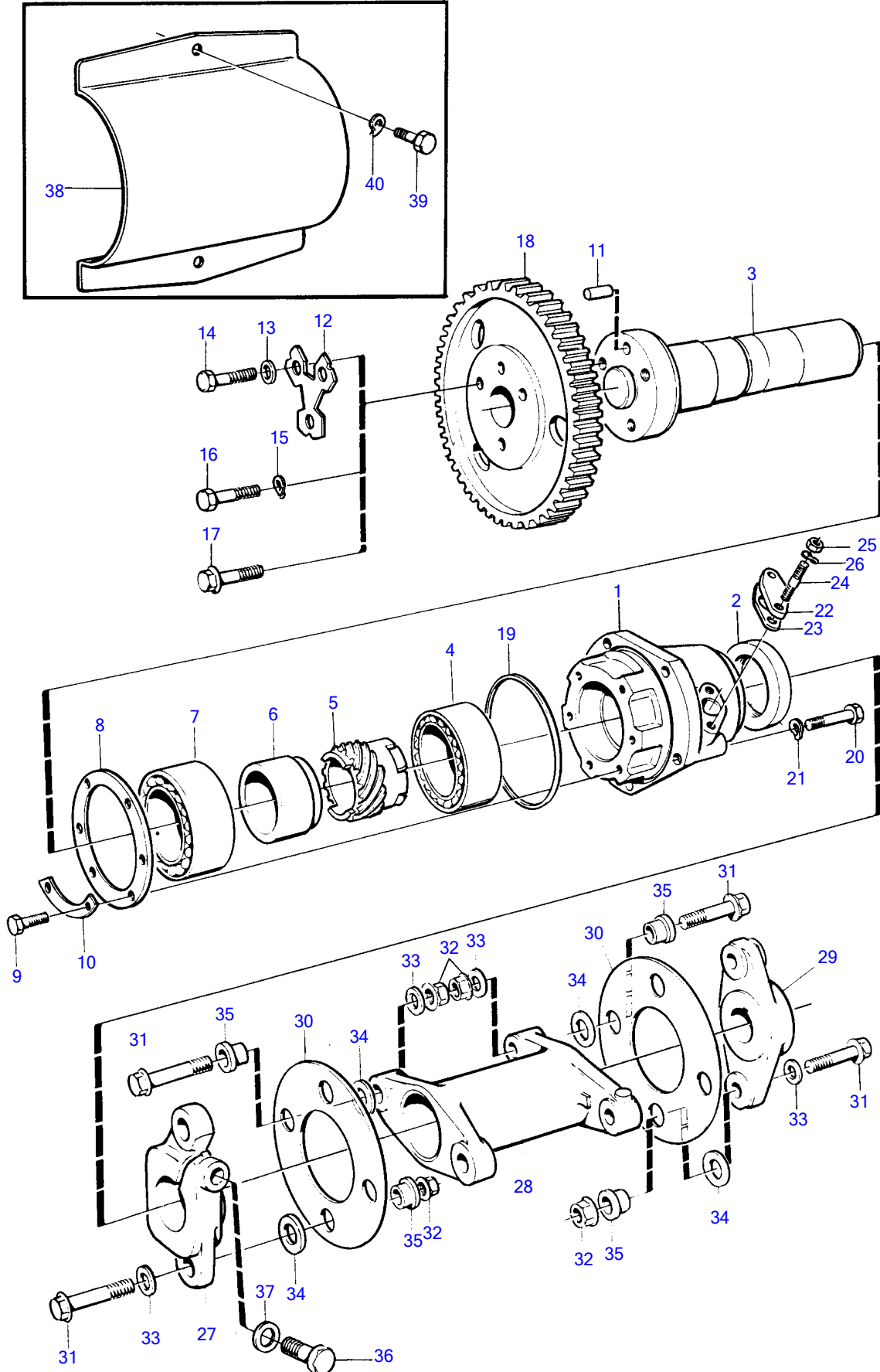


TAMD122A, TMD122A



11620

TAMD122A, TMD122A

REF	PART NO.	QTY	DESCRIPTION	SEE SEC.	NOTES
1	421074	1	Bearing housing		
2	424580	1	Sealing ring		
3	422073	1	Shaft, 3/8"-UNF		Replaced by 1 ea shaft 471557 and 3 ea screw 471558. Shaft 471557 does not have any key groove., SN-2120187412
	471557	1	Stub axle, m10		SN2120187413-
4	11013	1	Ball bearing		
5	469364	1	Gear		
6	469363	1	Stop ring		
7	181577	1	Ball bearing		
8	423074	1	Washer		
9	940100	6	Hexagon screw		
10	421415	3	Lock washer		
11	950586	1	Pin		
12	467052	1	Lock washer		SN-120168648
13	467055	3	Washer		SN-120168648
14	102056	3	Hexagon screw, 3/8"-UNF		SN-120168648
15	942336	3	Spring washer		SN2120168649- SN-2120187412
16	921642	3	Hexagon screw, 3/8"-UNF		SN2120168649- SN-2120187412
17	471558	3	Screw, m10		SN2120187413-
18	423079	1	Gear		
			• Bulletin 45-01	45-01-EN	Timing Gears, 71, 100, 121
19	423123	1	Sealing ring		
20	955525	4	Hexagon screw		L=25mm
	955527	1	Hexagon screw		L=57mm
21	941907	5	Spring washer		
22	422643	1	Cover		
23	422130	1	Gasket		
24	953224	2	Stud		
25	955825	2	Hexagon nut		
26	941906	2	Spring washer		
27	471383	1	Companion flange		
28	471366	1	Spacer		
29	471312	1	Companion flange		
30	479459	6	Flexplate		
31	946470	8	Flange screw		
32	945408	8	Flange nut		(945408)
33	976944	8	Washer		8,4x22x2mm
34	479460	8	Washer		12x24x2mm
35	478896	8	Sleeve		
36	970878	1	Hexagon screw		(963245)
37	976945	1	Washer		(960148)
38	3828836	1	Protecting plate		
39	940113	2	Hexagon screw		
40	941907	2	Spring washer		