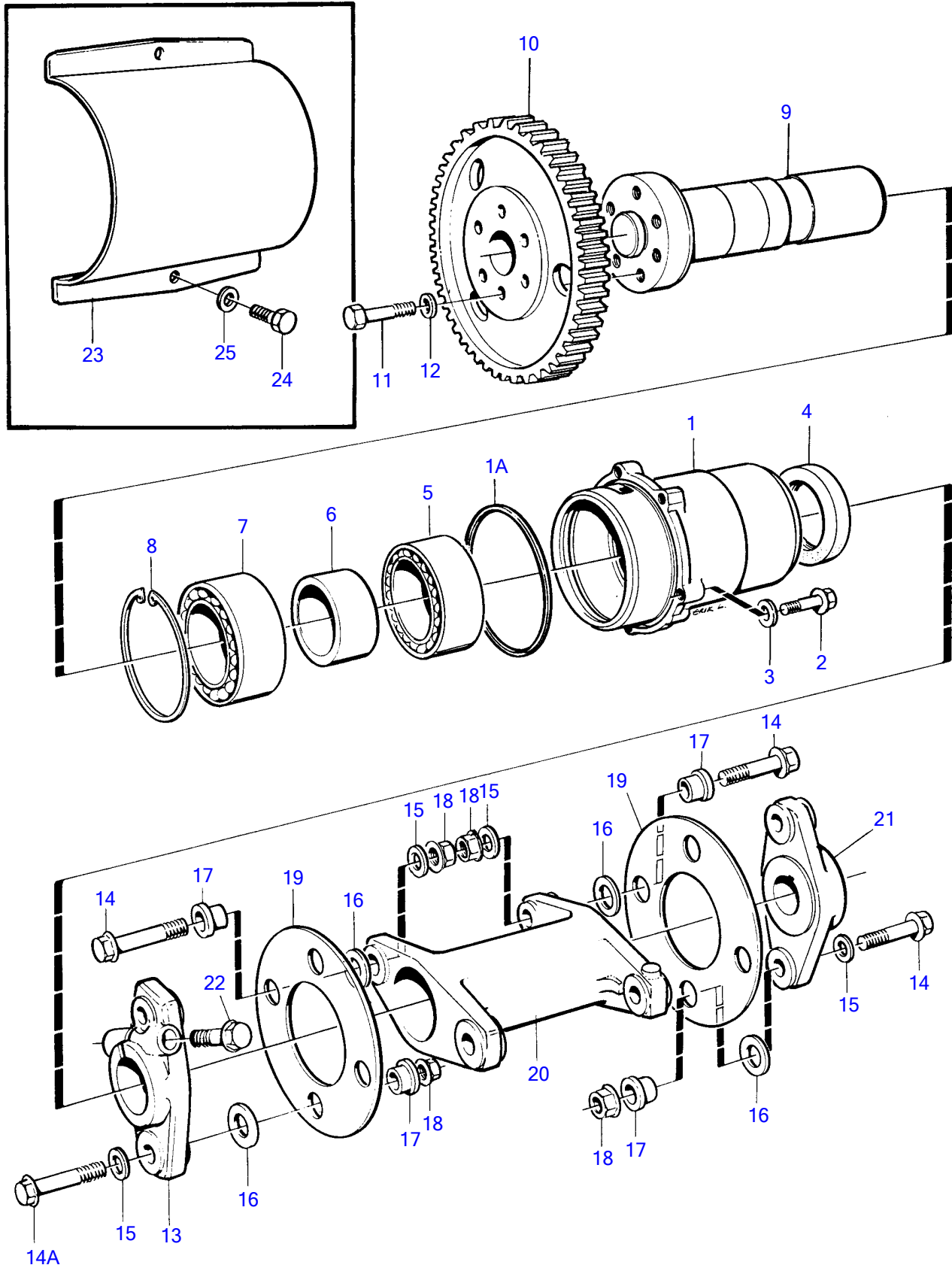


TAMD122P-B



## TAMD122P-B

REF	PART NO.	QTY	DESCRIPTION
1	478799	1	Bearing housing
1A	423123	1	Sealing ring
2	940159	5	Hexagon screw
3	941907	5	Spring washer
4	1546221	1	Sealing ring
5	11014	1	Ball bearing
6	1546132	1	Stop ring
7	184788	1	Ball bearing
8	914540	1	Snap ring
9	478411	1	Stub axle
10	478429	1	Gear, nitro carburized
11	471534	6	Flange screw
12	942385	6	Disc spring
13	1556186	1	Companion flange
14	965185	6	Flange screw
14A	965220	2	Flange screw
15	976945	8	Washer
16	479399	8	Washer
17	478897	8	Sleeve
18	971095	8	Flange nut
19	479458	8	Companion disc
20	478416	1	Spacer
21	478358	1	Companion flange
22	1556285	1	Flange screw
23	3828836	1	Protecting plate
24	940113	2	Hexagon screw
25	941907	2	Spring washer