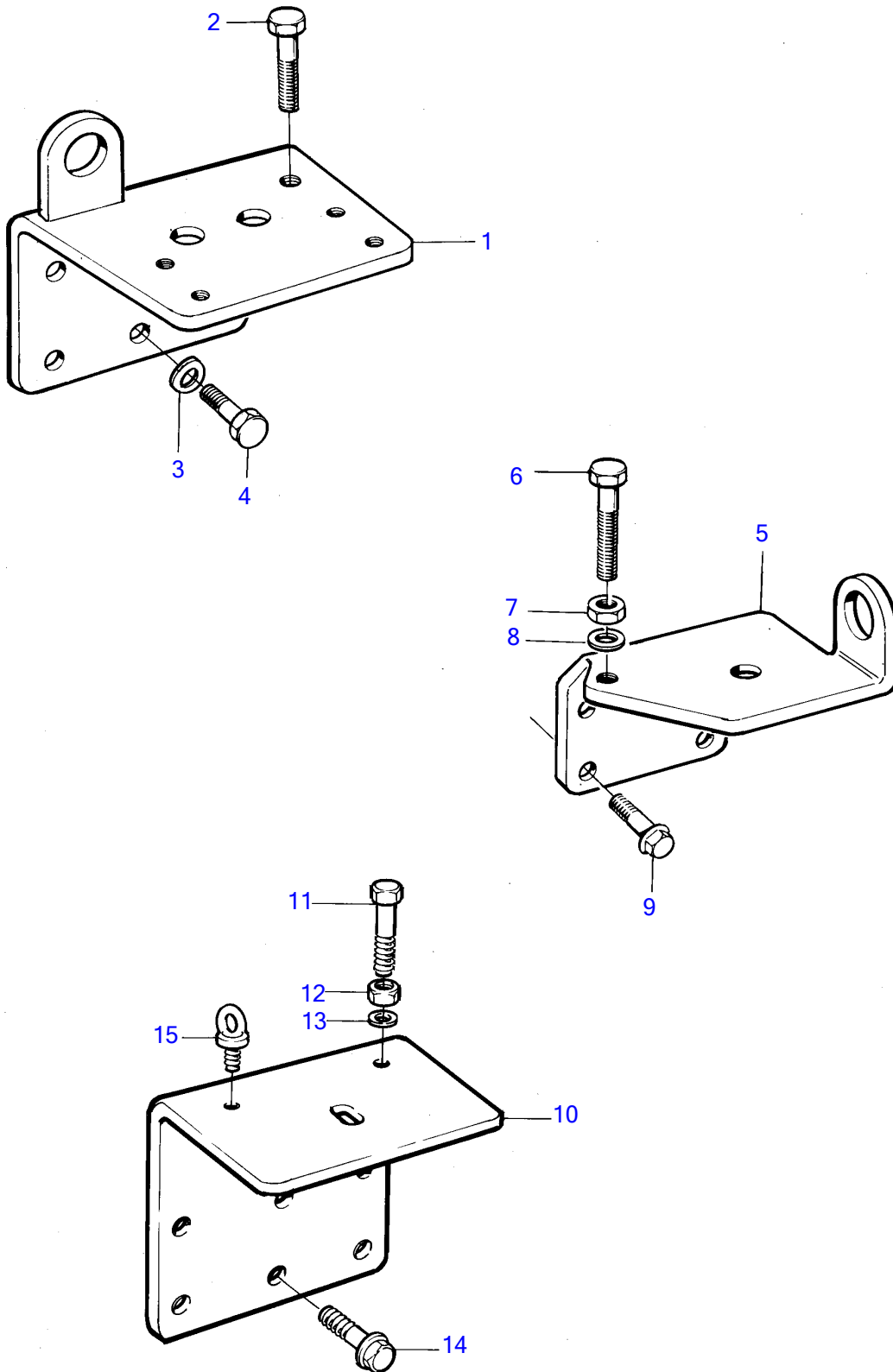


TAMD122A, TMD122A, TAMD122P-A, TAMD122P-B, TAMD122P-C



16793

TAMD122A, TMD122A, TAMD122P-A, TAMD122P-B, TAMD122P-C

REF	PART NO.	QTY	DESCRIPTION	NOTES
10	(3826259)	2	Bracket	Obsolete part
11	977987	2	Adjusting screw	
12	971072	2	Hexagon nut	
13	940280	2	Spring washer	
14	968435	12	Flange screw	
15	942345	2	Lifting eye	