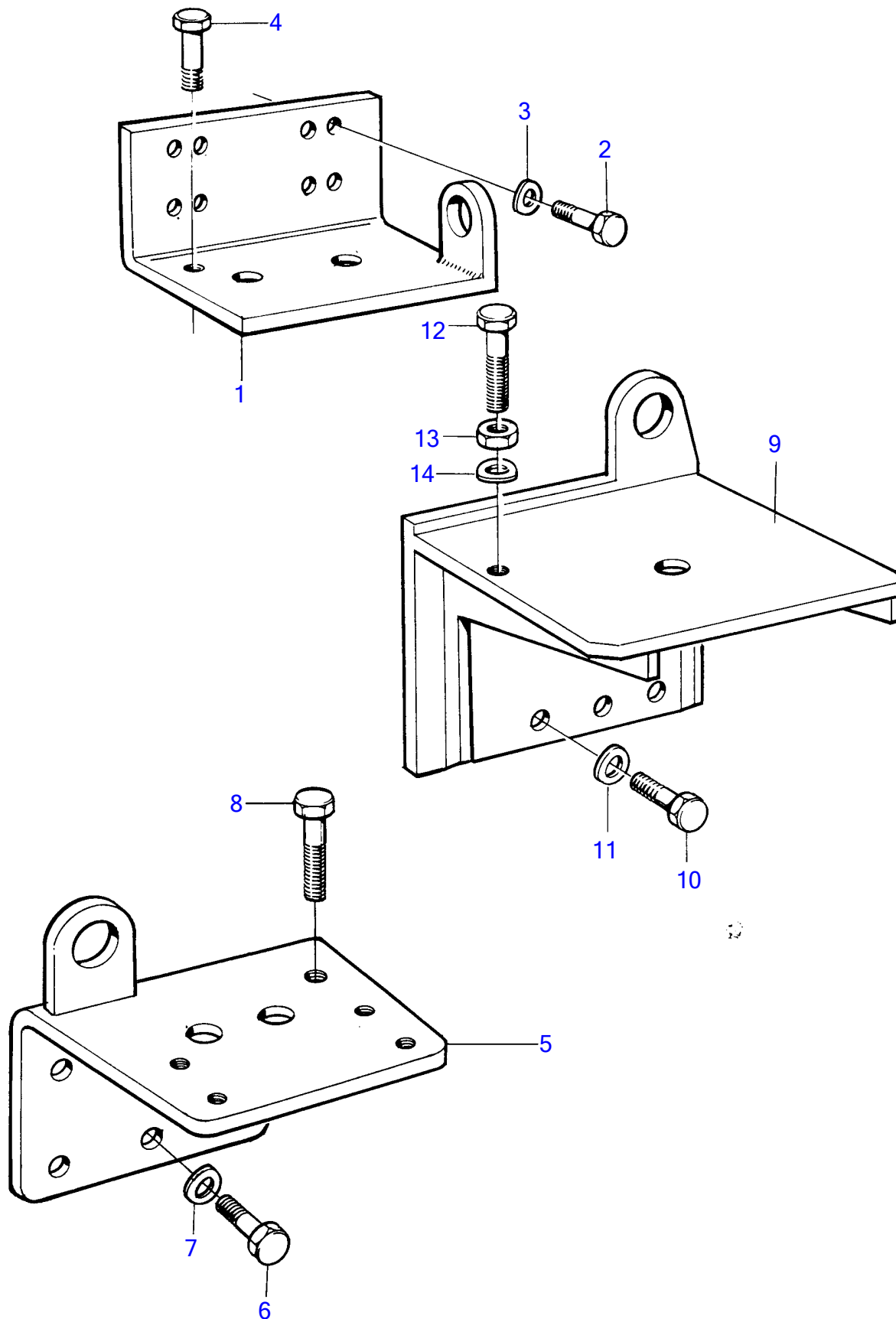


TAMD122A, TMD122A



16 078

TAMD122A, TMD122A

REF	PART NO.	QTY	DESCRIPTION	NOTES
1	864375	1	Bracket	S.B
	864376	1	Bracket	P
2	956616	16	Hex. socket screw	
3	940280	16	Spring washer	
4	970972	2	Hexagon screw	