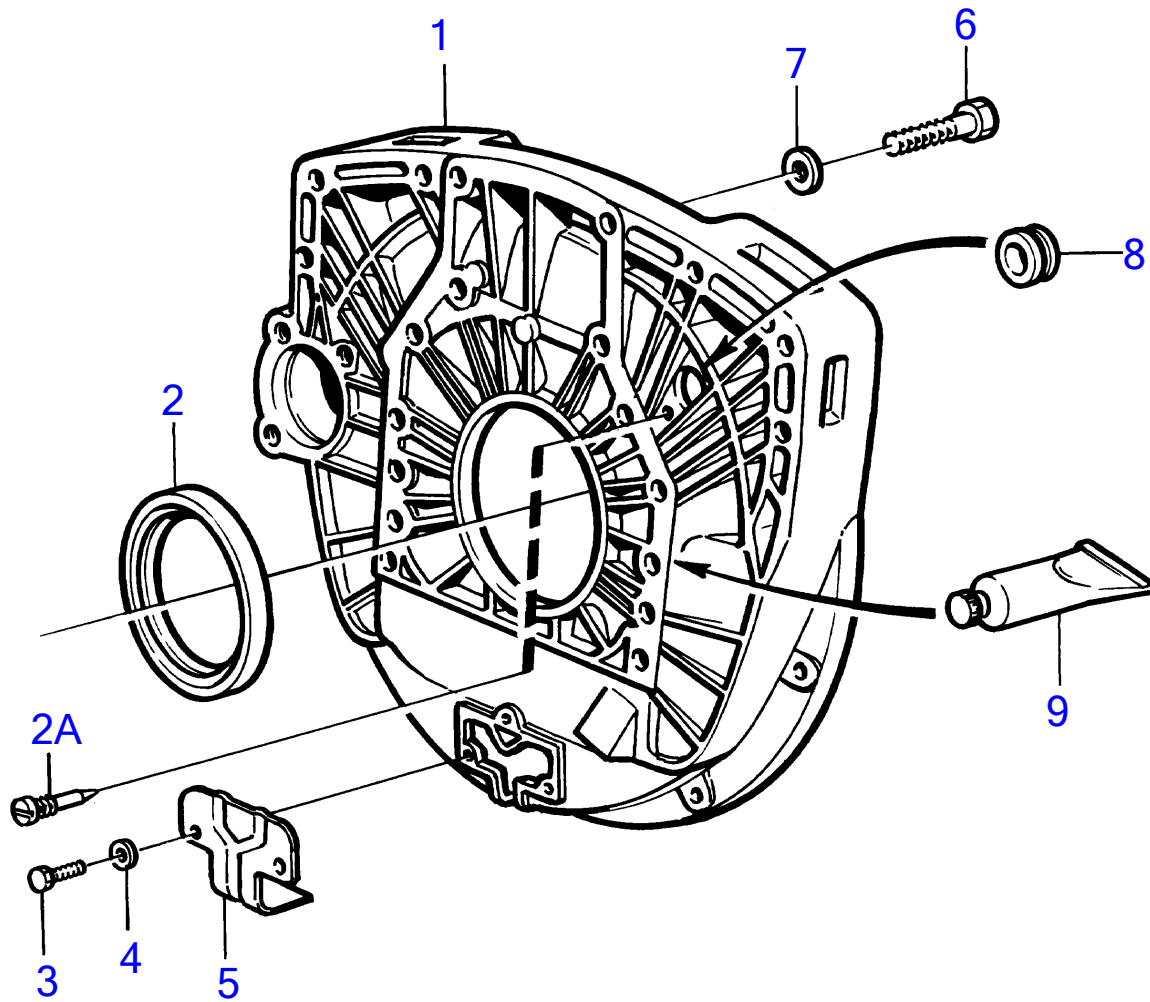


TAMD122P-A, TAMD122P-B, TAMD122P-C



10590

TAMD122P-A, TAMD122P-B, TAMD122P-C

REF	PART NO.	QTY	DESCRIPTION	NOTES
1	863813	1	Flywheel housing	
2	469336	1	Sealing ring	
2A	1543173	1	Setting indicator	
3	940100	2	Hexagon screw	
4	941906	2	Spring washer	
5	(467078)	1	Breather cap	Obsolete part
6	955580	8	Hexagon screw	L=57mm
	955582	2	Hexagon screw	L=70mm
	955587	2	Hexagon screw	L=102mm
7	955899	12	Washer	
8	61822	1	Rubber plug	
9	1161231	X	Sealant	304ml
	1161277	X	Sealant	10g