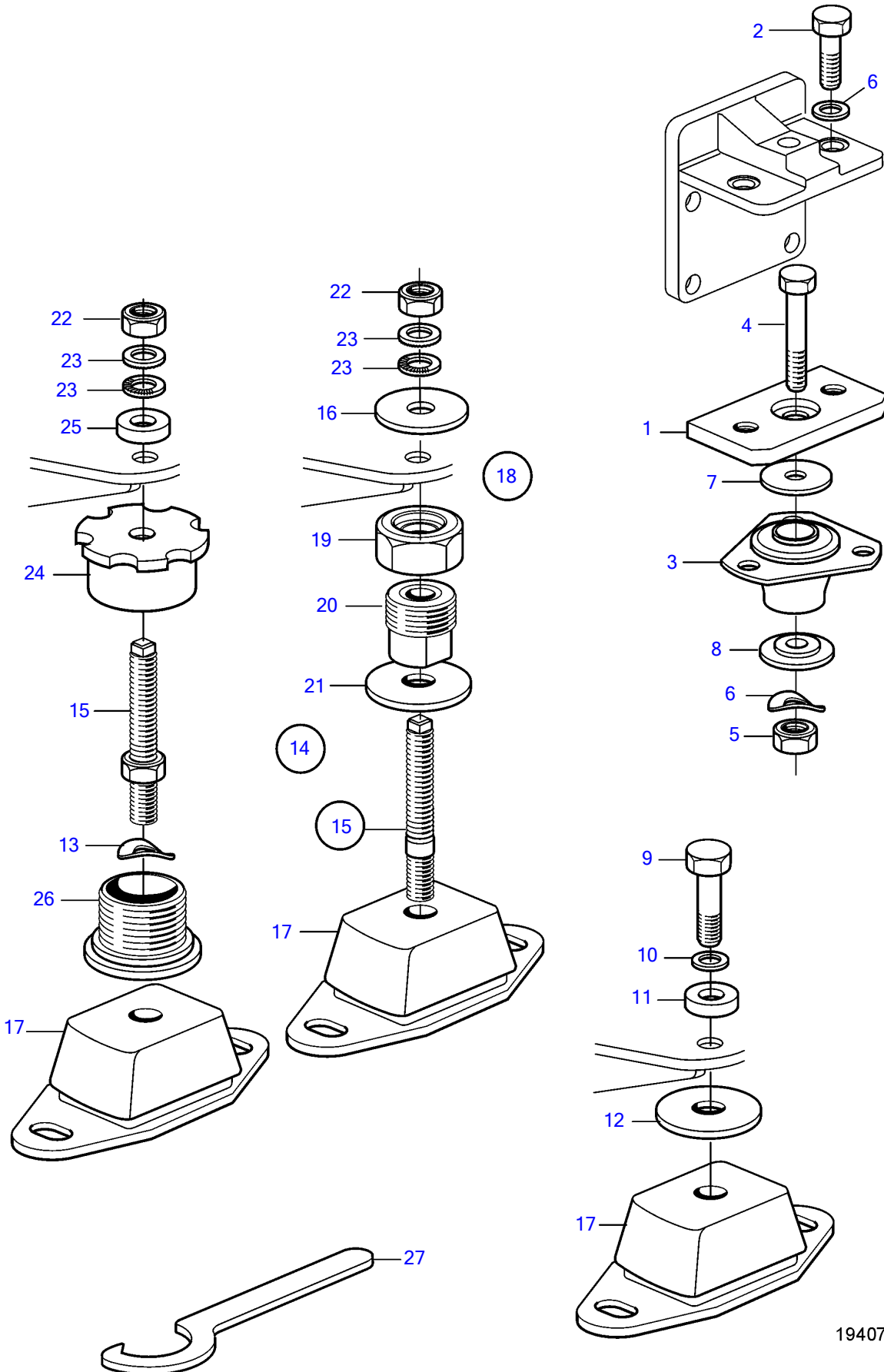


TAMD122A, TMD122A, TAMD122P-A, TAMD122P-B, TAMD122P-C



19407

TAMD122A, TMD122A, TAMD122P-A, TAMD122P-B, TAMD122P-C

REF	PART NO.	QTY	DESCRIPTION	NOTES
1	(824374)	4	Intermediate plate	Obsolete part
2	955589	8	Hexagon screw	
3	836961	4	Rubber cushion	
4	959827	4	Hexagon screw	
5	955829	4	Hexagon nut	
6	941912	12	Spring washer	
7	836325	4	Washer	
8	862066	4	Stop washer	
9	955390	4	Hexagon screw	
10	941914	4	Spring washer	Obsolete part
11	863273	4	Washer	
12	849953	X	Spacer	
	849954	X	Spacer	
	849955	X	Spacer	
13	941914	4	Spring washer	Obsolete part
14	3829464	4	Engine mountings	For TAMD122P-A, P-B, P-C
15	3828724	1	• Adjusting screw	
16	120224	1	• Washer	
17	862347	1	• Rubber cushion	For TAMD122P-A, P-B, P-C
18	3836666	1	• Adjusting sleeve	
19	3836667	1	• • Nut	
20		1	• • • Sleeve	
21		1	• • • Washer	
22	955786	1	• Hexagon nut	
23	847766	2	• Lock washer	
24	863873	1	Adjusting sleeve	
25	955903	1	Washer	
26	863872	1	Adjusting sleeve	
27	885017	1	Hook spanner	