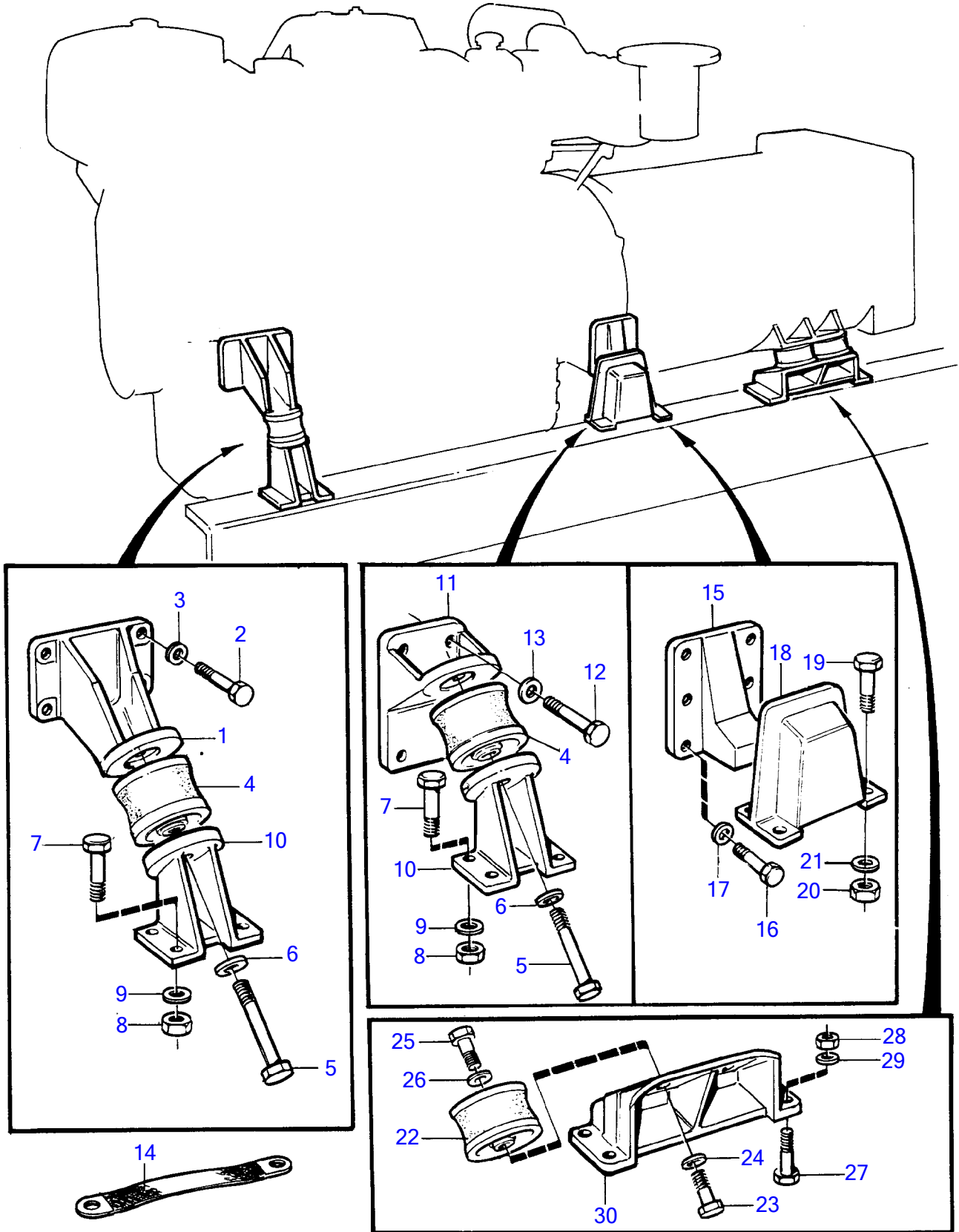


TMD122A



TMD122A

REF	PART NO.	QTY	DESCRIPTION	NOTES
1	820745	2	Bracket	
2	955578	8	Hexagon screw	
3	941911	8	Spring washer	
4	899734	4	Rubber cushion	
5	970968	4	Hexagon screw	
6	940280	4	Spring washer	
7	955562	8	Hexagon screw	
8	940176	8	Hexagon nut	
9	940280	8	Spring washer	
10	820822	2	Bracket	297mm to crankshaft center.
	820744	2	Bracket	262mm to crankshaft center.
11	820742	2	Bracket	
12	955561	8	Hexagon screw	
13	940280	8	Spring washer	
14	948881	1	Chassis ground cable	
15	899144	2	Inner section	297mm to crankshaft center.
	(899145)	2	Bracket	Obsolete part, 262mm to crankshaft center.
16	955561	12	Hexagon screw	
17	940280	12	Spring washer	
18	817954	2	Bracket	
19	955535	8	Hexagon screw	
20	955827	8	Hexagon nut	
21	942336	8	Spring washer	
22	899734	4	Rubber cushion	
23	970969	4	Hexagon screw	
24	940280	4	Spring washer	
25	970968	4	Hexagon screw	
26	940280	4	Spring washer	
27	955562	8	Hexagon screw	
28	940176	8	Hexagon nut	
29	940280	8	Spring washer	
30	(820743)	2	Bracket	Obsolete part, H=73mm
	(820821)	2	Bracket	Obsolete part, H=108mm