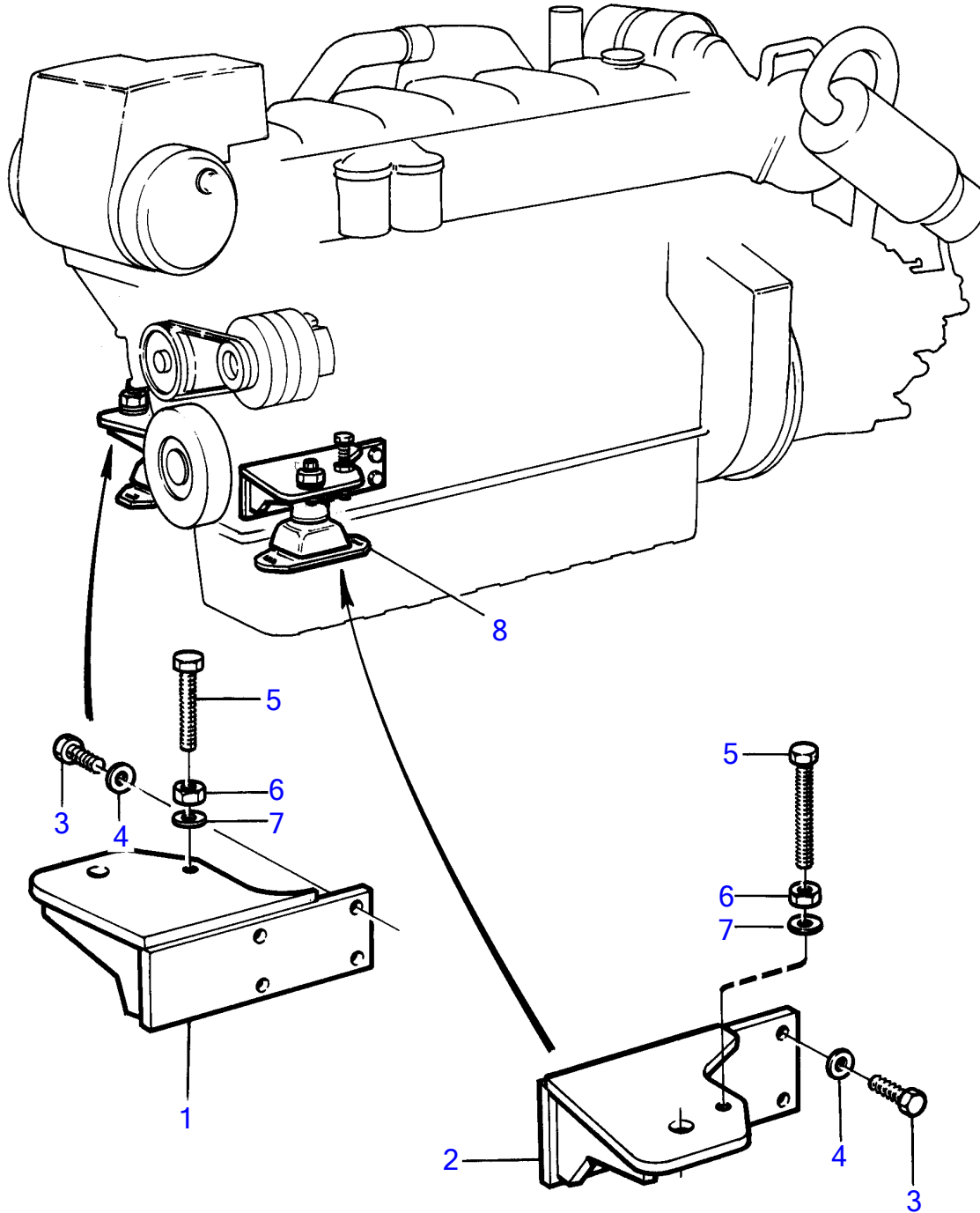


TAMD122A, TMD122A, TAMD122P-A



TAMD122A, TMD122A, TAMD122P-A

| REF | PART NO. | QTY | DESCRIPTION | SEE SEC. | NOTES |
|-----|----------|-----|-----------------|----------|---|
| 1 | (863712) | 1 | Bracket | | Used in combination with IRM 310A, 311A., Obsolete part |
| 2 | (863929) | 1 | Bracket | | Used in combination with IRM 310A, 311A., Obsolete part |
| 3 | 955577 | 8 | Hexagon screw | | |
| 4 | 941911 | 8 | Spring washer | | |
| 5 | 977987 | 2 | Adjusting screw | | |
| 6 | 971072 | 2 | Hexagon nut | | |
| 7 | 940280 | 2 | Spring washer | | |
| 8 | | X | Rubber element | 1487 | |