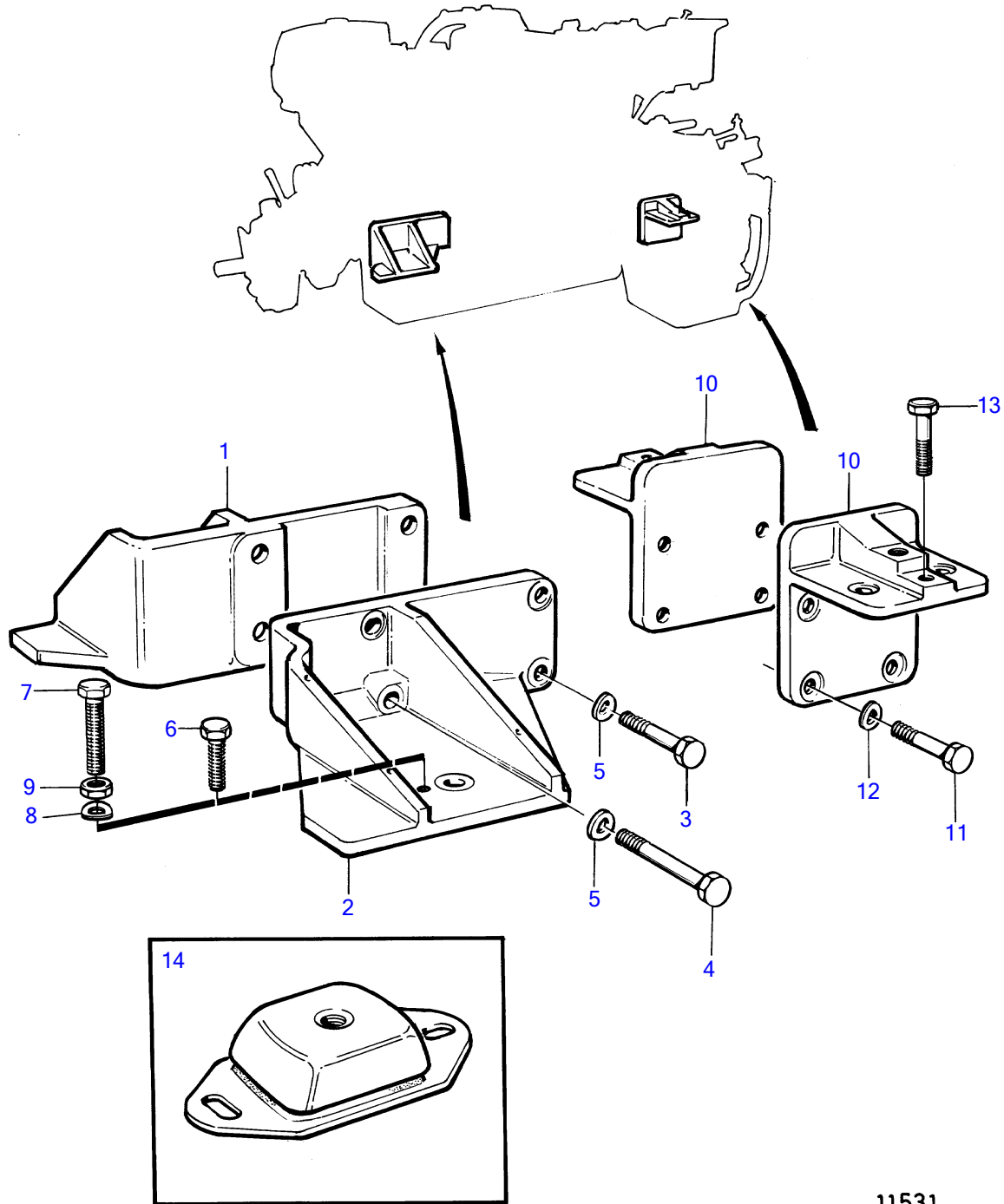


TAMD122A, TMD122A, TAMD122P-A, TAMD122P-B



11531

TAMD122A, TMD122A, TAMD122P-A, TAMD122P-B

REF	PART NO.	QTY	DESCRIPTION	SEE SEC.	NOTES
1	862473	1	Bracket		Used in combination with MG5091SC-E, MG5111A, MG5114SC., SB
2	862474	1	Bracket		Used in combination with MG5091SC-E, MG5111A, MG5114SC., P
3	955577	6	Hexagon screw		L=38mm
4	955580	2	Hexagon screw		L=55mm
5	941911	8	Spring washer		
6	970971	2	Hexagon screw		
7	977987	2	Adjusting screw		
8	940280	2	Spring washer		
9	971072	2	Hexagon nut		
10	821685	2	Bracket		
11	960737	8	Hexagon screw		
12	940280	8	Spring washer		
13	955591	2	Hexagon screw		
14		X	Rubber element	1487	