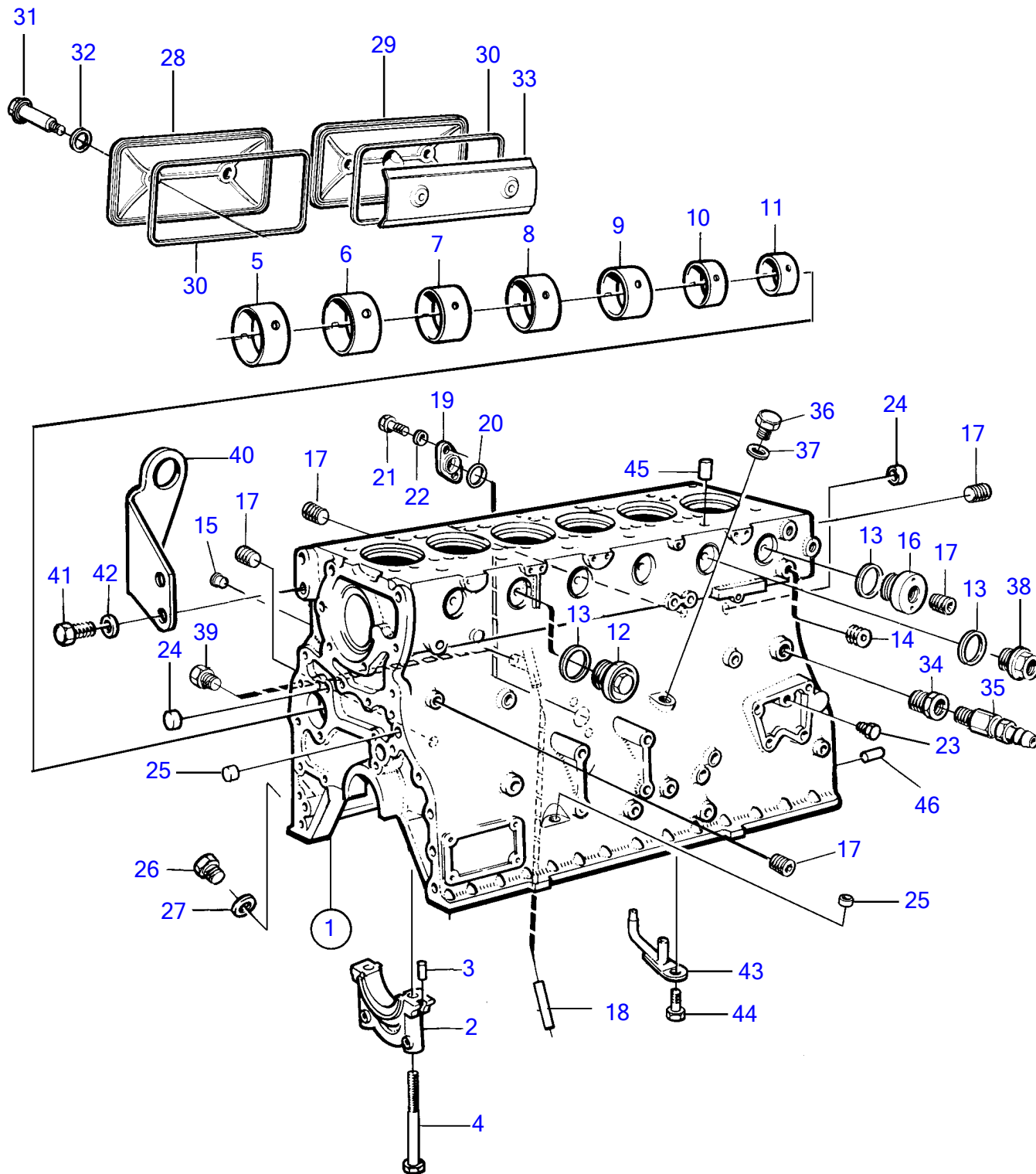


TAMD122P-A, TAMD122P-B, TAMD122P-C



TAMD122P-A, TAMD122P-B, TAMD122P-C

REF	PART NO.	QTY	DESCRIPTION	SEE SEC.	NOTES
1	478990	1	Cylinder block		Spare part design., (470130)
2		7	• Bearing cap		
3	422426	1	• Pivot pin		
4	423444	14	• Flange screw		
5	422076	1	• Bushing		
6	422077	1	• Bushing		
7	422078	1	• Bushing		
8	422079	1	• Bushing		
9	422080	1	• Bushing		
10	422081	1	• Bushing		
11	422082	1	• Bushing		
12	467367	5	• Plug		
13	469328	6	• Gasket		
14	952075	1	• Plug		
15	422369	2	• Plug		
16	821335	1	• Plug		
17	479977	5	• Plug		
18	468563	1	• Pipe		
19		1	• Cover		
20	949657	1	• O-ring		
21	955524	2	• Hexagon screw		
22	941907	2	• Spring washer		
23	16318	1	• Plug		
24	955083	3	Cap plug		
25	955082	2	Cap plug		
26	948187	1	Plug		
27	18818	1	Gasket		
28	423120	2	Inspection cover		
29	423121	1	Inspection cover		
30	469823	3	Gasket		
31	422541	6	Shoulder screw		
32	471856	6	Sealing ring		
33	422542	1	Splash plate		
34	479954	1	Nipple		
35	949918	1	Shut-off cock		
38	823369	1	Plug		
39	479979	4	Plug		1/8-27NPTFx9,5
	941876	1	Plug		7/16UNCx11
40		1	Lift iron		
41	955561	2	Hexagon screw		
42	940280	2	Spring washer		
43		6	Outlet, piston cooling	2051	
44		6	Screw	2051	
45	950543	12	Pin		
46	191171	2	Pin		