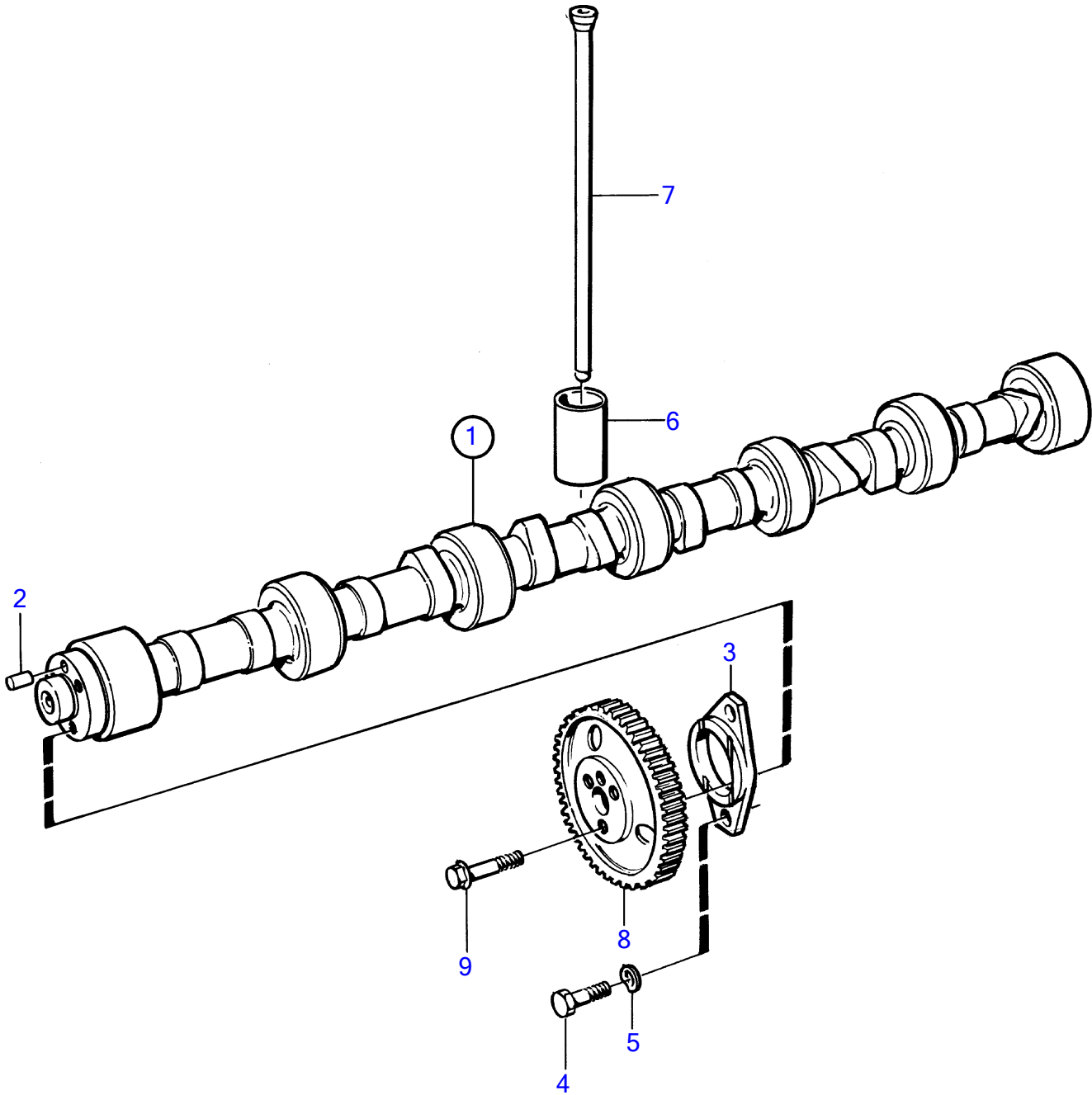


TAMD122A, TMD122A



15012

TAMD122A, TMD122A

REF	PART NO.	QTY	DESCRIPTION	SEE SEC.	NOTES
1	468723	1	Camshaft		SN-XXXXXXXXXX/200675
	8193727	1	Camshaft		SNXXXXXXXXXX/200676-
2	(950558)	1	• Pin		Obsolete part
3	465789	1	Flange		(469324)
4	940115	2	Hexagon screw		
5	942336	2	Spring washer		
6	479863	12	Tappet		
7	423021	12	Push rod		
8	423079	1	Gear		
			• Bulletin 45-01	45-01-EN	Timing Gears, 71, 100, 121
9	940128	3	Hexagon screw, 3/8"-UNF		SN-XXXXXXXXXX/200675
	471555	3	Screw		M10x50mm
	467055	3	Washer		For 940128