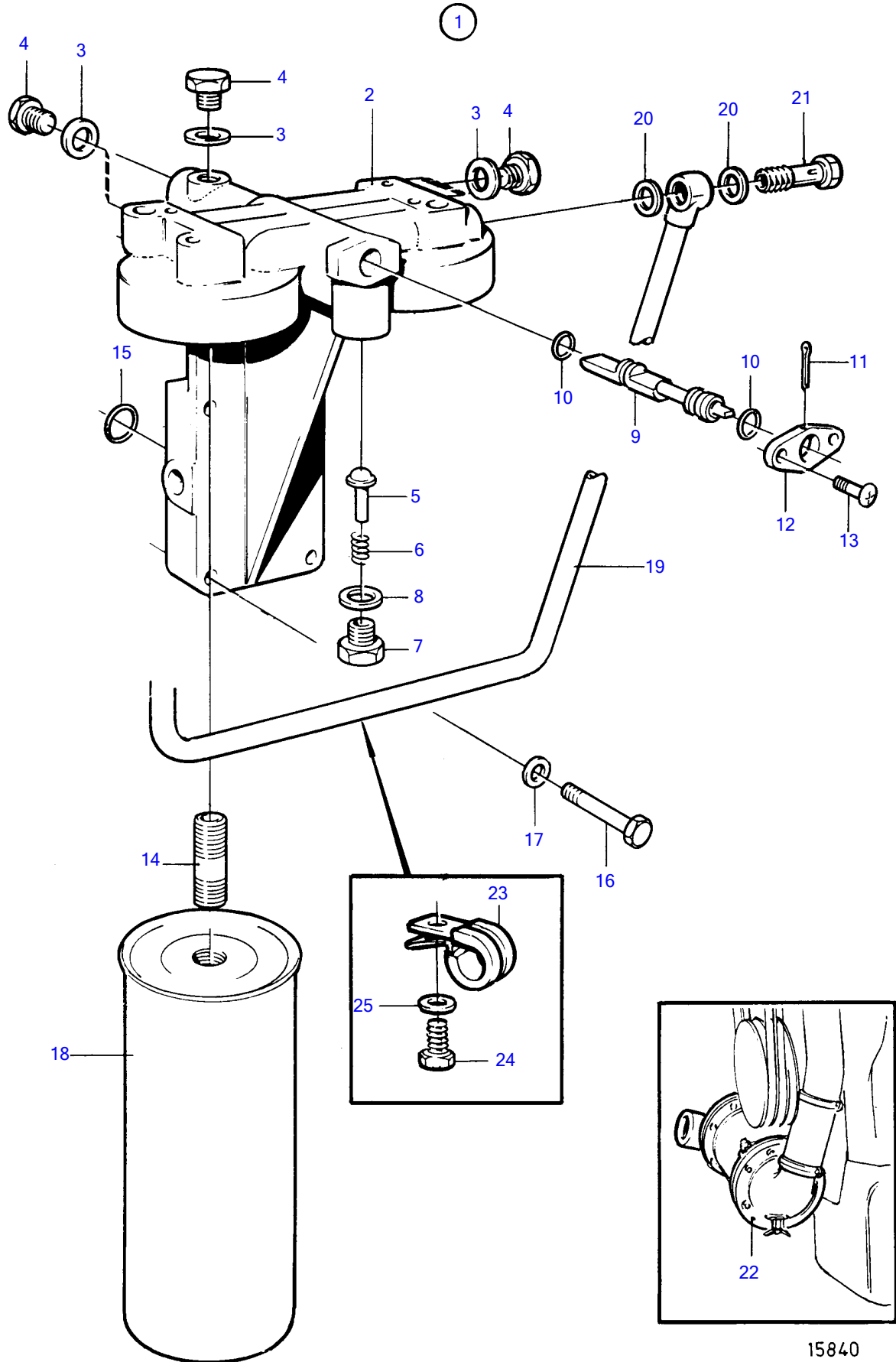


TMD122A



15840

TMD122A

REF	PART NO.	QTY	DESCRIPTION	SEE SEC.	NOTES
1			Oil filter housing, with shift valve		
2	(846999)	1	• Bracket		Obsolete part
3	957180	5	• Gasket		
4	914391	5	• Plug		
5	471085	1	• Valve cone		
6	466653	1	• Compression spring		
7	466624	1	• Plug		
8	18677	1	• Gasket		
9	824198	1	• Valve peg		
10	925057	2	• O-ring		
11	907868	1	• Split pin		
12	824195	1	• Flange		
13	(950022)	2	• Cross recessed screw		Obsolete part
14	466623	2	• Nipple		
15	949657	2	O-ring		
16	955537	4	Hexagon screw		
17	942336	4	Spring washer		
18	466634	2	Oil filter		
19	842830	1	Tube		For piston cooling.
20	947624	2	Gasket		
21	190714	1	Hollow screw		
22		1	Oil cooler	2223	
23	952627	1	Clamp		
24	940100	1	Hexagon screw		
25	941906	1	Spring washer		

7746700-22-2047

15840

Upd:2012-02-22

TAMD122A, TMD122A, TAMD122P-A, TAMD122P-B, TAMD122P-C

**VOLVO**  
**PENTA**