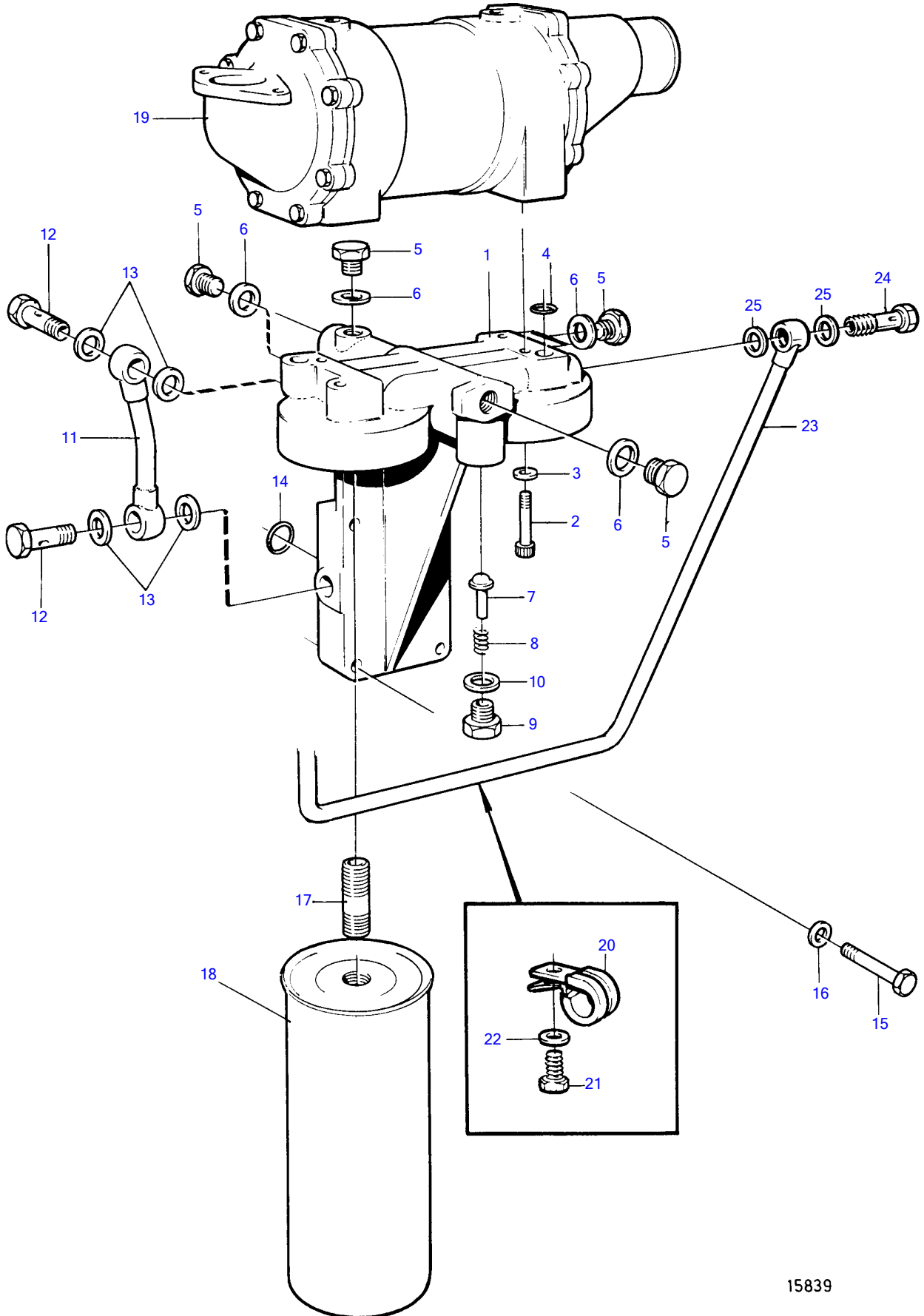


TMD122A



15839

## TMD122A

| REF | PART NO. | QTY | DESCRIPTION          | SEE SEC. |
|-----|----------|-----|----------------------|----------|
| 1   | 843528   | 1   | Bracket              |          |
| 2   | 956572   | 4   | Hex. socket screw    |          |
| 3   | 11992    | 4   | Gasket               |          |
| 4   | 949656   | 2   | O-ring               |          |
| 5   | 914391   | 6   | Plug                 |          |
| 6   | 976930   | 6   | Gasket               |          |
| 7   | 471085   | 1   | Valve cone           |          |
| 8   | 466653   | 1   | Compression spring   |          |
| 9   | 466624   | 1   | Plug                 |          |
| 10  | 18677    | 1   | Gasket               |          |
| 11  | 842831   | 1   | Tube                 |          |
| 12  | 191157   | 2   | Hollow screw         |          |
| 13  | 947627   | 4   | Gasket               |          |
| 14  | 949657   | 2   | O-ring               |          |
| 15  | 955537   | 4   | Hexagon screw        |          |
| 16  | 942336   | 4   | Spring washer        |          |
| 17  | 466623   | 2   | Nipple               |          |
| 18  | 466634   | 2   | Oil filter           |          |
| 19  |          | 1   | Oil cooler, engine   | 2216     |
| 20  | 952627   | 1   | Clamp                |          |
| 21  | 940100   | 1   | Hexagon screw        |          |
| 22  | 941906   | 1   | Spring washer        |          |
| 23  | 842830   | 1   | Tube, piston cooling |          |
| 24  | 190714   | 1   | Hollow screw         |          |
| 25  | 947624   | 2   | Gasket               |          |