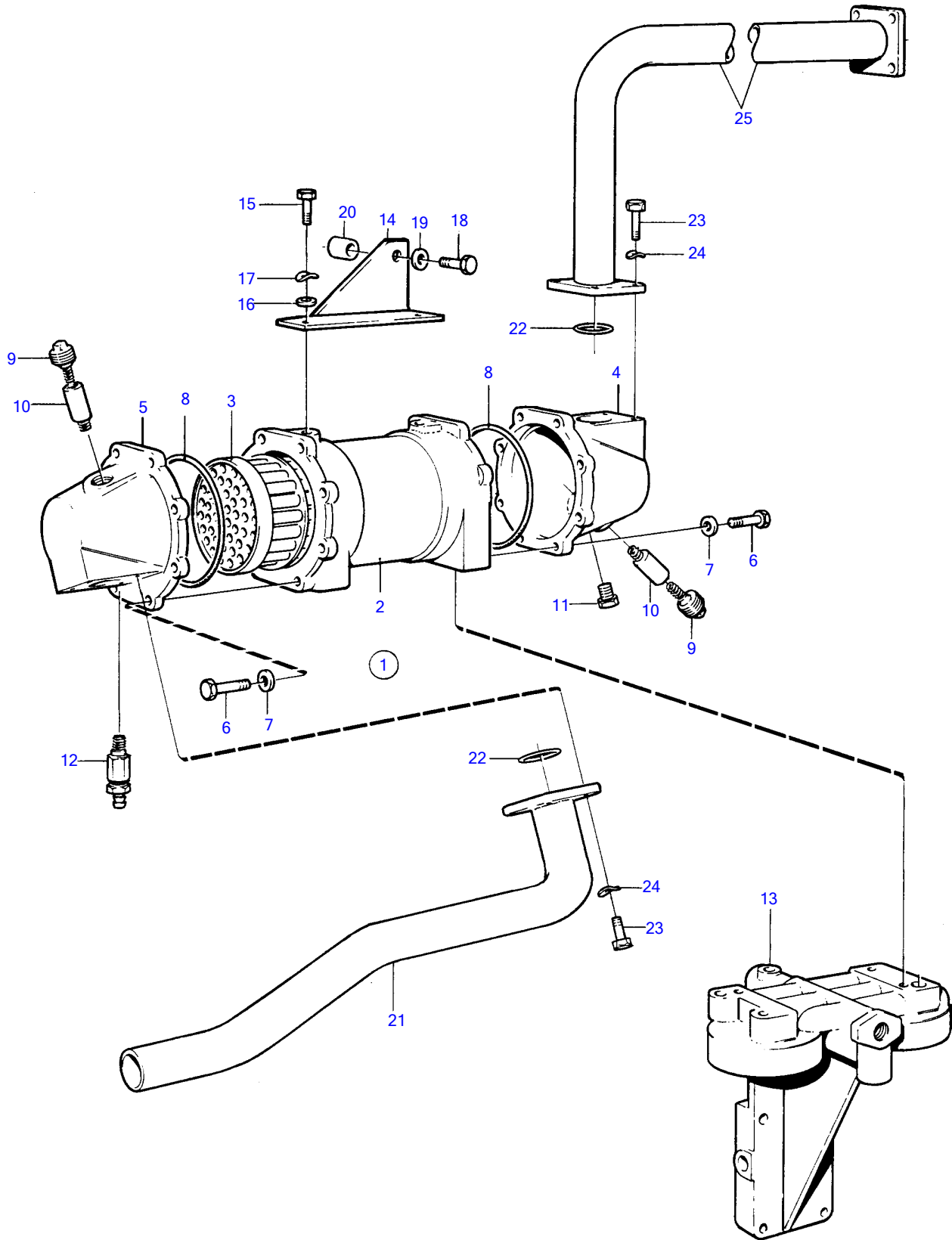


TMD122A



TMD122A

REF	PART NO.	QTY	DESCRIPTION	SEE SEC.	NOTES
1		1	Oil cooler		
2	849410	1	• Housing		
3	3825932	1	• Insert		(864213)
4	846235	1	• End cover		
5	846235	1	• End cover		
6	940094	16	• Hexagon screw		
7	941906	16	• Spring washer		
8	925027	2	• O-ring		
9	838928	2	• Plug		
10	838929	2	• Anode		
11	861551	3	Plug		(192134)
12	949918	1	Shut-off cock		
13			Oil filter housing		
			•	2044	
14	843570	1	Support		Repl by 3826058
	3826058	1	Bracket		
15	940100	2	Hexagon screw		
16	941906	2	Spring washer		
17	955893	2	Washer		
18	955533	1	Hexagon screw		For 843570
	955535	1	Hexagon screw		For 3826058
19	941907	1	Spring washer		For 843570
	942336	1	Spring washer		For 3826058
20	821540	1	Spacer sleeve		For 843570
	829653	1	Spacer sleeve		For 3826058
21	3825446	1	Coolant pipe		Oil cooler - oil cooler, reverse gear
22	864491	2	Gasket		
23	956569	8	Hex. socket screw		
24	941907	8	Spring washer		
25	3825445	1	Coolant pipe		Oil cooler - heat exchanger., (846237)