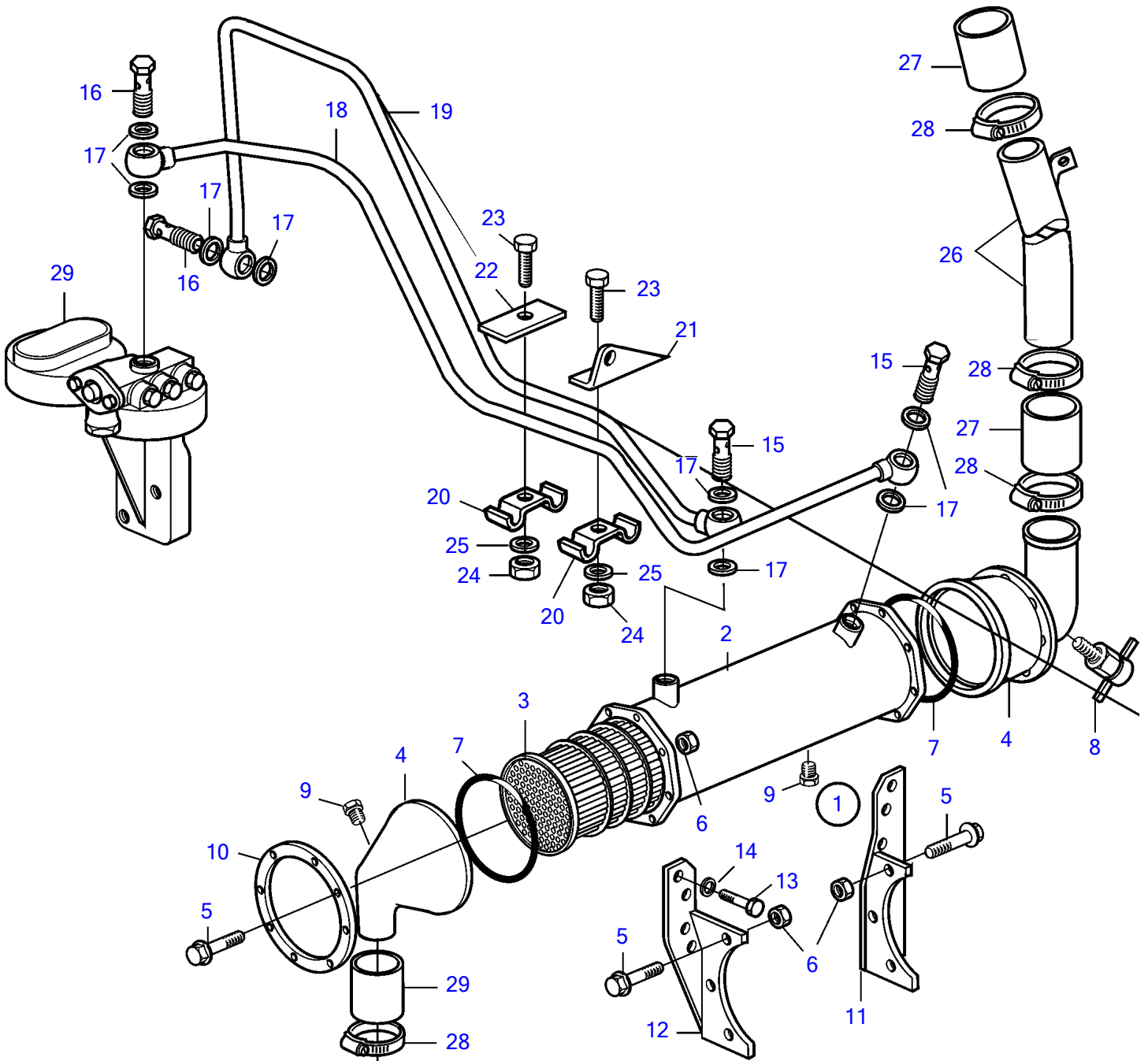


TMD122A



19515

## TMD122A

REF	PART NO.	QTY	DESCRIPTION	SEE SEC.	NOTES
1	3826144	1	Oil cooler		(864229)
2	(822212)	1	• Housing		Obsolete part
3	3825932	1	• Insert		(864213)
4	(823803)	2	• End cover		Obsolete part
5	955515	16	• Hexagon screw		
6	955825	16	• Hexagon nut		
7	925027	2	• O-ring		
8	82744	1	• Shut-off cock		
9	981749	2	• Plug		
10	823802	2	• Tensioning ring		
11	821058	1	Bracket		
12	821061	1	Bracket		
13	955544	2	Hexagon screw		L=102mm
	940115	2	Hexagon screw		L=25mm
14	942336	4	Spring washer		
15	191929	2	Hollow screw		
16	191157	2	Hollow screw		
17	947627	8	Gasket		
18	(846998)	1	Oil pipe		Obsolete part
19	(846997)	1	Oil pipe		Obsolete part
20	942421	2	Clamp		
21	(821075)	1	Anchorage		Obsolete part
22	(821076)	1	Anchorage		Obsolete part
23	940100	2	Hexagon screw		
24	955825	2	Hexagon nut		
25	941906	2	Spring washer		
26	(820639)	1	Coolant pipe		Obsolete part
27	952980	X	Hose		L=130mm
28	943480	4	Hose clamp		
29		1	Shift valve		
			•		
			•	2047	