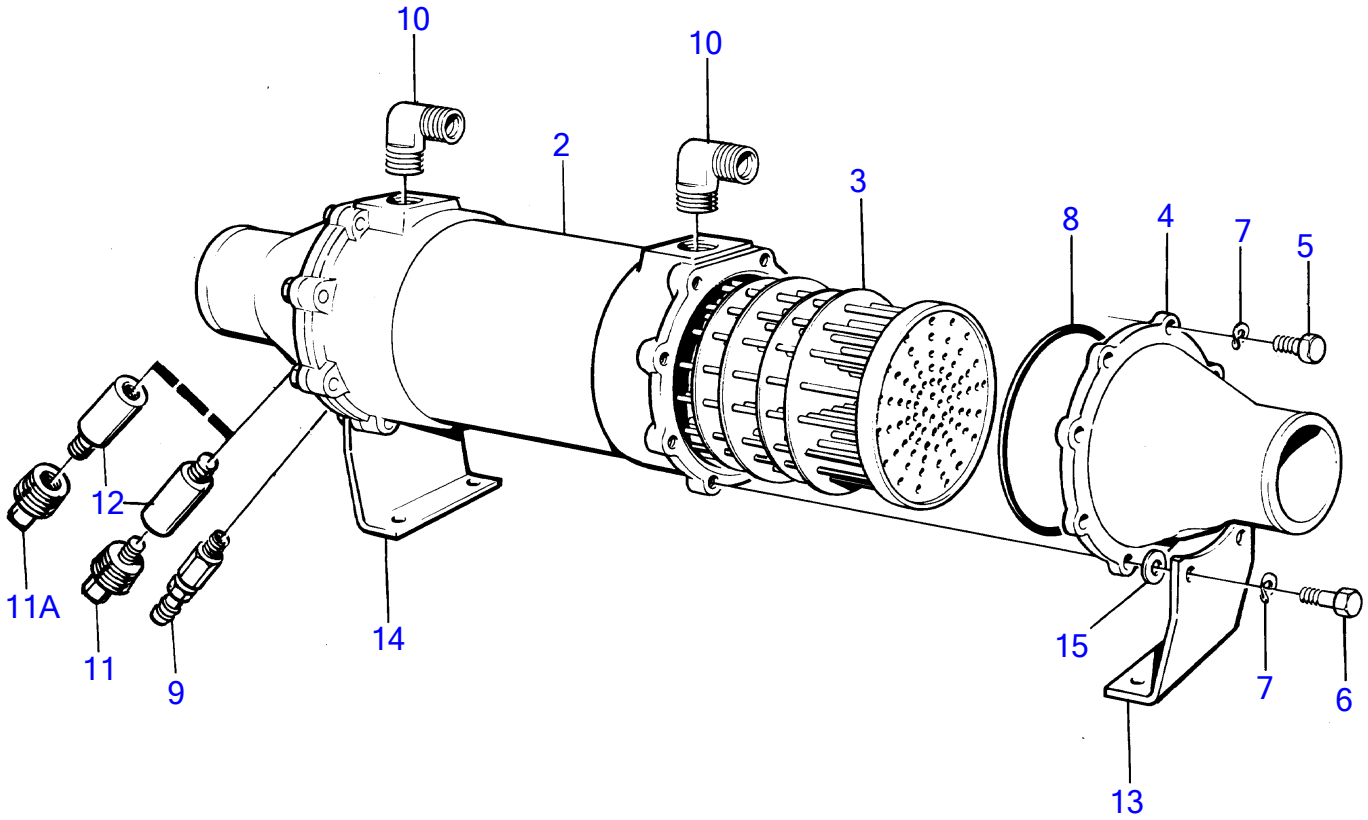


TAMD122A, TMD122A, TAMD122P-A, TAMD122P-B, TAMD122P-C

1



15446

TAMD122A, TMD122A, TAMD122P-A, TAMD122P-B, TAMD122P-C

| REF | PART NO. | QTY | DESCRIPTION | NOTES |
|-----|----------|-----|-----------------|---------------|
| 1 | 3825934 | 1 | Oil cooler | Classified |
| 2 | 849618 | 1 | • Housing | |
| 3 | 3825932 | 1 | • Insert | (864213) |
| 4 | 836888 | 2 | • End cover | |
| 5 | 955514 | 12 | • Hexagon screw | |
| 6 | 940117 | 4 | • Hexagon screw | |
| 7 | 941906 | 16 | • Spring washer | |
| 8 | 925027 | 2 | • O-ring | |
| 9 | 949918 | 2 | • Shut-off cock | |
| 10 | 824479 | 2 | • Elbow union | |
| 11 | 838928 | 2 | • Plug | |
| 11A | 800475 | 2 | • Plug | Alt |
| 12 | 838929 | 2 | • Anode | |
| 13 | (836112) | 1 | • Base | Obsolete part |
| 14 | (836113) | 1 | • Base | Obsolete part |
| 15 | 960140 | 4 | • Washer | |