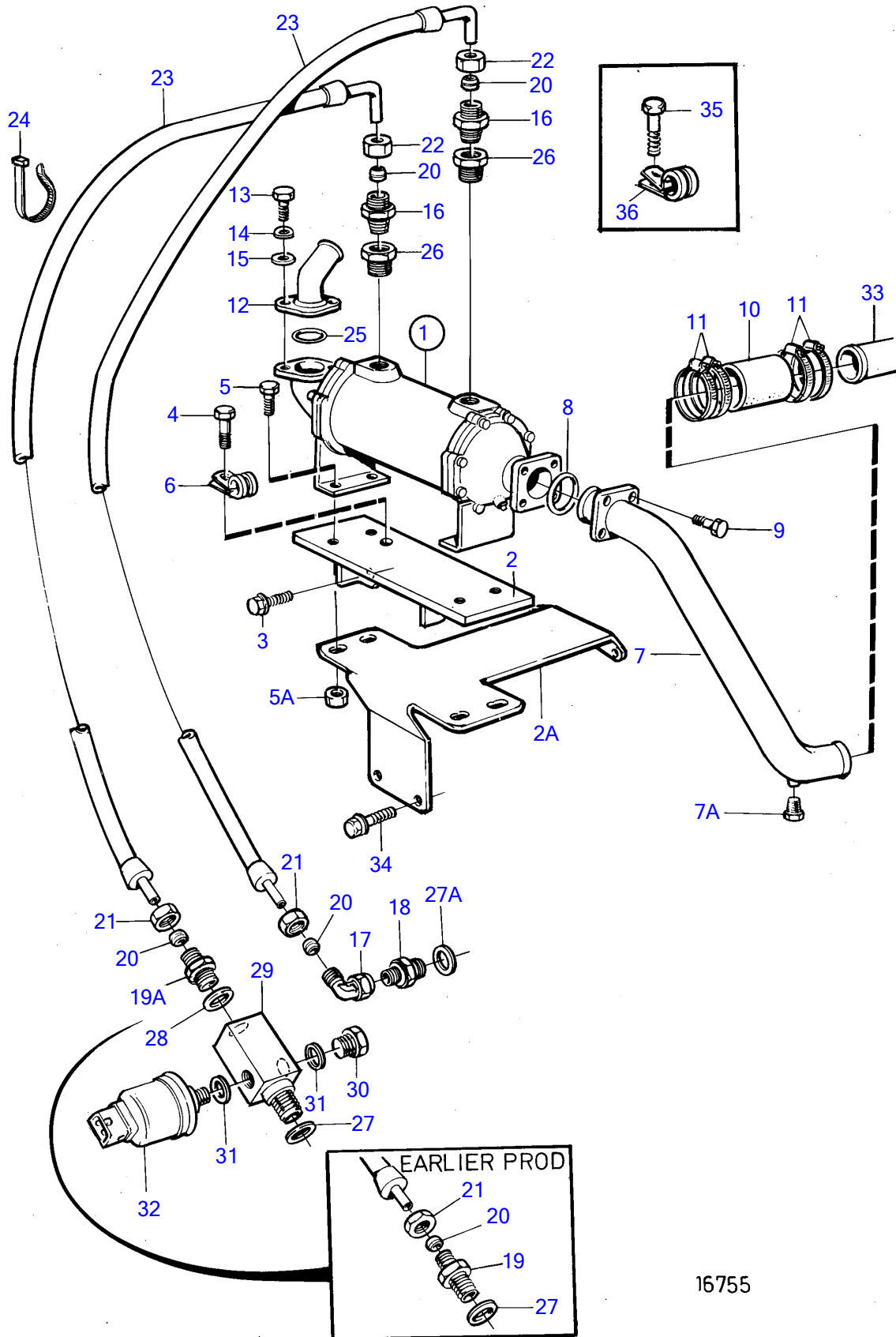


TAMD122A, TAMD122P-A, TAMD122P-B, TAMD122P-C



TAMD122A, TAMD122P-A, TAMD122P-B, TAMD122P-C

| REF | PART NO.  | QTY | DESCRIPTION          | SEE SEC. | NOTES              |
|-----|-----------|-----|----------------------|----------|--------------------|
| 1   |           | 1   | Oil cooler           |          |                    |
|     |           |     | .                    | 1369     |                    |
| 2A  | (3826275) | 1   | Bracket              |          | Obsolete part      |
| 5   | 946173    | 4   | Flange screw         |          |                    |
| 5A  | 948645    | 4   | Flange lock nut      |          |                    |
| 7   | 863817    | 1   | Tube                 |          |                    |
| 7A  | 861551    | 1   | Plug                 |          |                    |
| 8   | 843584    | 1   | Gasket               |          |                    |
| 9   | 946173    | 4   | Flange screw         |          |                    |
| 10  | 952980    | X   | Hose                 |          | L=110mm            |
| 11  | 961672    | 4   | Hose clamp           |          |                    |
| 12  | 863838    | 1   | Tube                 |          |                    |
| 13  | 940135    | 2   | Hexagon screw        |          |                    |
| 14  | 941907    | 2   | Spring washer        |          |                    |
| 15  | 191172    | 2   | Washer               |          |                    |
| 16  | 968132    | 2   | Nipple               |          |                    |
| 17  | 964016    | 1   | Elbow nipple         |          | Not for IRM311A-EB |
| 18  | 963948    | 1   | Nipple               |          | M16                |
| 19A | 963959    | 1   | Nipple               |          |                    |
| 20  | 980782    | 4   | Ferrule              |          | (1677808)          |
| 21  | 956984    | 2   | Fitting nut          |          |                    |
| 22  | 941331    | 2   | Fitting nut          |          |                    |
| 23  | 3826966   | 2   | Hose                 |          |                    |
| 24  | 948211    | 3   | Cable tie            |          |                    |
| 25  | 925092    | 1   | O-ring               |          |                    |
| 26  | 949707    | 2   | Reduction nipple     |          |                    |
| 27  | 948883    | 2   | Gasket               |          |                    |
| 28  | 947624    | 1   | Gasket               |          |                    |
| 29  | 864064    | 1   | X-nipple             |          |                    |
| 30  | 960632    | 1   | Plug                 |          |                    |
| 31  | 947624    | 2   | Gasket               |          |                    |
| 32  | 866839    | 1   | Sensor               |          | See group 30       |
| 33  |           | 1   | Pipe, heat exchanger |          |                    |
| 34  | 946752    | 2   | Flange screw         |          |                    |
| 35  | 946441    | 1   | Flange screw         |          |                    |
| 36  | 949747    | 1   | Clamp                |          |                    |

7746700-26-3050B

16755

Upd:2012-02-22

TAMD122A, TMD122A, TAMD122P-A, TAMD122P-B, TAMD122P-C