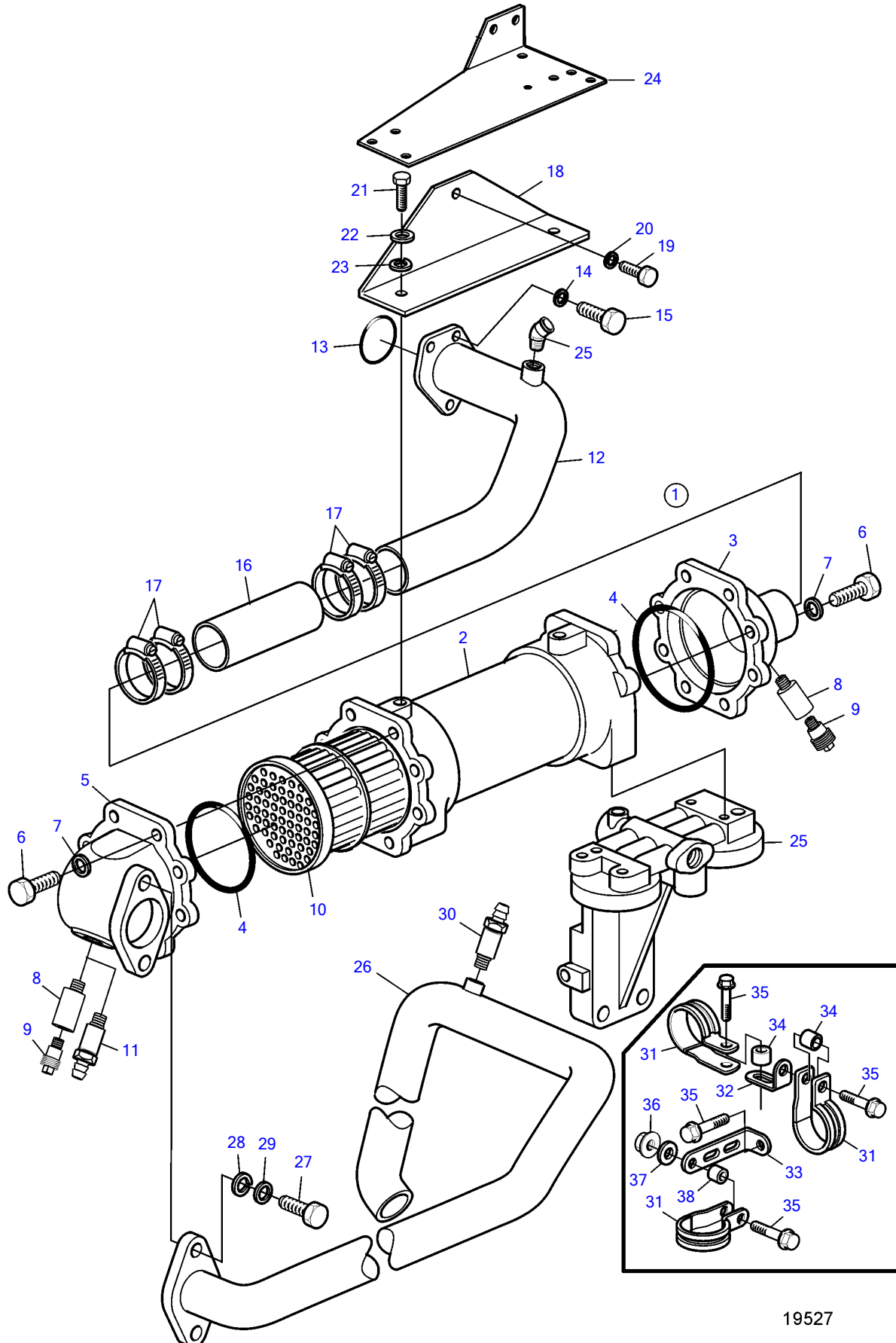


TAMD122A, TMD122A



19527

TAMD122A, TMD122A

| REF | PART NO. | QTY | DESCRIPTION | SEE SEC. |
|-----|----------|-----|----------------------|----------|
| 1 | | 1 | Oil cooler | |
| 2 | 849410 | 1 | • Housing | |
| 3 | 836888 | 1 | • End cover | |
| 4 | 925027 | 2 | • O-ring | |
| 5 | 843567 | 1 | • End cover | |
| 6 | 940094 | 16 | • Hexagon screw | |
| 7 | 941906 | 16 | • Spring washer | |
| 8 | 838929 | 2 | • Anode | |
| 9 | 838928 | 2 | • Plug | |
| 10 | 3825932 | 1 | • Insert | |
| 11 | 947894 | 1 | Shut-off cock | |
| 12 | 847560 | 1 | Tube | |
| 13 | 925092 | 1 | O-ring | |
| 14 | 941907 | 3 | Spring washer | |
| 15 | 940135 | 3 | Hexagon screw | |
| 16 | 952980 | 1 | Hose | |
| 17 | 943480 | 4 | Hose clamp | |
| 18 | 3826058 | 1 | Bracket | |
| 19 | 955533 | 1 | Hexagon screw | |
| 20 | 942336 | 1 | Spring washer | |
| 21 | 940100 | 2 | Hexagon screw | |
| 22 | 941906 | 2 | Spring washer | |
| 23 | 955893 | 2 | Washer | |
| 24 | | 1 | Oil filter housing | |
| | | | • Oil filter housing | |
| | | | • | 2044 |
| 25 | 942649 | 1 | Elbow nipple | |
| 26 | 3835788 | 1 | Coolant pipe | |
| 27 | 955525 | 2 | Hexagon screw | |
| 28 | 191172 | 2 | Washer | |
| 29 | 941907 | 2 | Spring washer | |
| 30 | 947894 | 1 | Shut-off cock | |
| 31 | 945734 | 3 | Clamp | |
| 32 | 965555 | 1 | Bracket | |
| 33 | 965559 | 1 | Bracket | |
| 34 | 846339 | 2 | Spacer sleeve | |
| 35 | 965212 | 3 | Flange screw | |
| 36 | 945407 | 3 | Flange nut | |
| 37 | 976943 | 2 | Washer | |
| 38 | 843075 | 1 | Spacer sleeve | |

7746700-26-6151

19527

Upd:2012-02-22

TAMD122A, TMD122A, TAMD122P-A, TAMD122P-B, TAMD122P-C