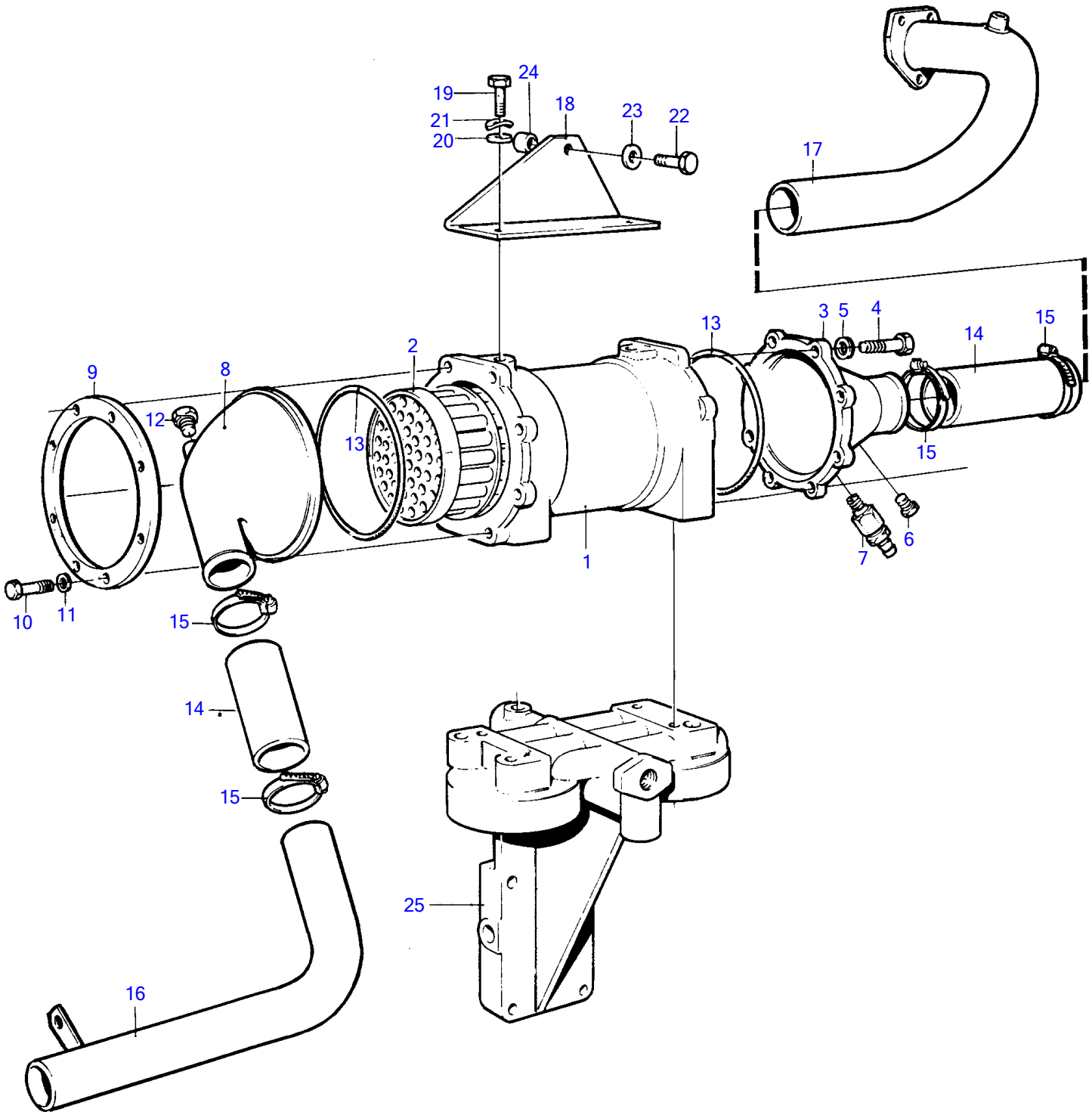


TMD122A



11629

TMD122A

REF	PART NO.	QTY	DESCRIPTION	NOTES
1	849410	1	Housing	
2	3825932	1	Insert	
3	836888	1	End cover	
4	940094	8	Hexagon screw	
5	941906	8	Spring washer	
6	838928	1	Plug	
7	949918	1	Shut-off cock	
8	(823803)	1	End cover	Obsolete part
9	823802	1	Tensioning ring	
10	955514	8	Hexagon screw	
11	941906	8	Spring washer	
12	981749	1	Plug	
13	925027	2	O-ring	
14	952980	X	Hose	L=110mm
15	961673	4	Hose clamp	
16	(846353)	1	Tube	Oil cooler - oil cooler, reverse gear, Obsolete part
17	847560	1	Tube	Circulation pump - oil cooler.
18	3826058	1	Bracket	(843570)
19	955513	2	Hexagon screw	
20	941906	2	Spring washer	
21	955893	2	Washer	
22	955533	1	Hexagon screw	For 843570
	955535	1	Hexagon screw	For 3826058
23	941907	1	Spring washer	For 843570
	942336	1	Spring washer	For 3826058
24	821540	1	Spacer sleeve	For 843570
	829653	1	Spacer sleeve	For 3826058
25		1	Oil filter housing	