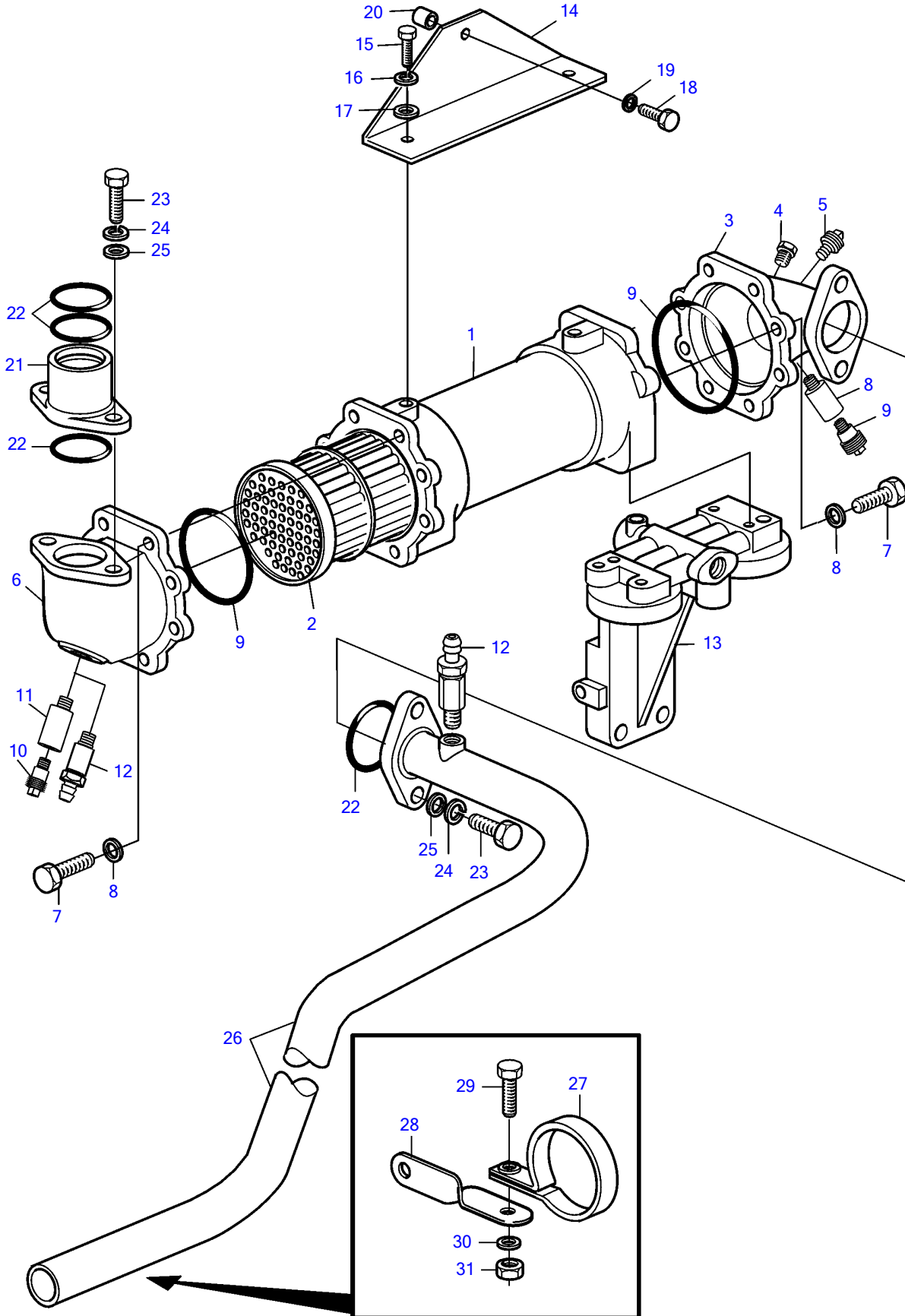


TAMD122A



## TAMD122A

REF	PART NO.	QTY	DESCRIPTION	SEE SEC.	NOTES
1	849410	1	Housing		
2	3825932	1	Insert		
3	843567	1	End cover		
4	861551	1	Plug		(192134)
5	838928	1	Plug		
6	843567	1	End cover		
7	940094	16	Hexagon screw		
8	941906	16	Spring washer		
9	925027	2	O-ring		
10	838928	2	Plug		
11	838929	2	Anode		
12	949918	1	Shut-off cock		
13			Oil filter housing		
			.		
			.	2045	
14	3826058	1	Bracket		(843570)
15	940100	2	Hexagon screw		
16	941906	2	Spring washer		
17	955893	2	Washer		
18	955533	1	Hexagon screw		For 843570
	955535	1	Hexagon screw		For 3826058
19	941907	1	Spring washer		For 843570
	942336	1	Spring washer		For 3826058
20	821540	1	Spacer sleeve		For 843570
	829653	1	Spacer sleeve		For 3826058
21	843565	1	Pipe connection		
22	925092	4	O-ring		
23	955525	4	Hexagon screw		
24	941907	4	Spring washer		
25	191172	4	Washer		
26	(847546)	1	Pipe		Oil cooler - oil cooler, reverse gear, Obsolete part
27	32447	1	Clamp		
28	(847350)	1	Bracket		Obsolete part
29	955535	1	Hexagon screw		
30	942336	2	Spring washer		
31	955827	1	Hexagon nut		