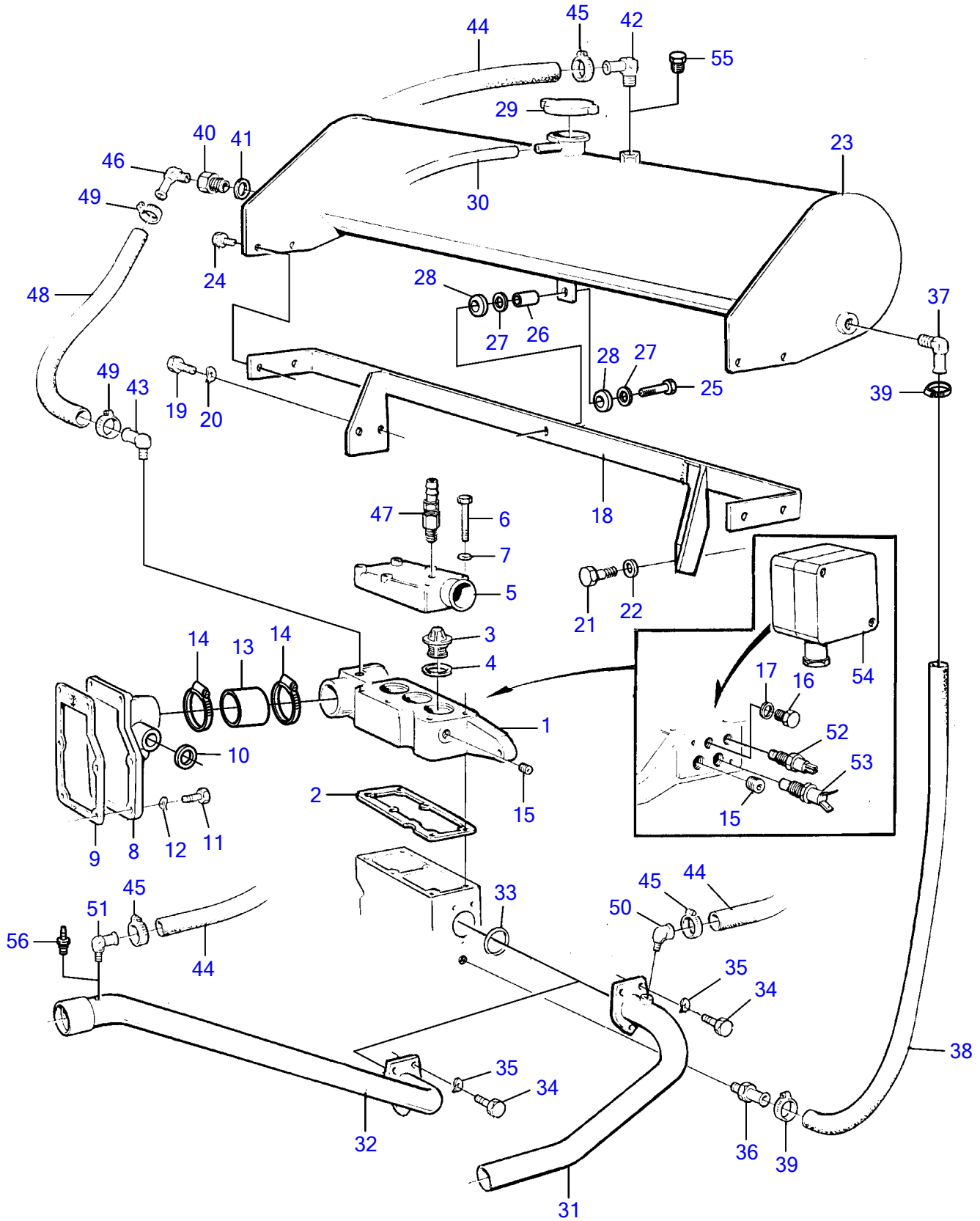


TAMD122A, TMD122A



TAMD122A, TMD122A

REF	PART NO.	QTY	DESCRIPTION	SEE SEC.	NOTES
1	836788	1	Thermostat housing		Repl by 3826739
	3826739	1	Thermostat housing		
2	423352	1	Gasket		
3	3831426	1	Thermostat kit		70°C (875788)
	3831425	2	Thermostat kit		76°C (875787)
4	416033	3	• Sealing ring		
5	847548	1	Thermostat housing		
6	959798	4	Hexagon screw		L=152mm
	959799	2	Hexagon screw		L=165mm
7	940097	6	Washer		
8	822593	1	End cover		
9	3827398	1	Gasket		
10	822575	1	Sealing ring		
11	940115	3	Hexagon screw		L=25mm
	955535	2	Hexagon screw		L=32mm
	955539	1	Hexagon screw		L=64mm
12	942336	6	Spring washer		
13	470464	1	Radiator hose		
14	943480	2	Hose clamp		
15	479977	3	Plug		(952077)
16	180761	2	Plug		
17	11996	2	Gasket		
18	(847555)	1	Bracket		Obsolete part
19	940114	2	Hexagon screw		
20	942336	2	Spring washer		
21	955691	1	Hexagon screw		
22	941909	1	Spring washer		
23	845436	1	Expansion tank		Repl by 3827367
	3827367	1	Expansion tank	6173	
24	946440	4	Flange screw		
25	945444	1	Flange screw		
26	403894	1	Spacer sleeve		
27	418531	2	Washer		
28	403877	2	Rubber bushing		
29	866095	1	Pressure cap		
30	192618	X	Hose		L=1000mm
31	847560	1	Tube		Circulation pump - oil cooler., TMD122A
32	847547	1	Tube		Circulation pump - after cooler., TAMD122A
33	925092	1	O-ring		
34	940135	3	Hexagon screw		
35	941907	3	Spring washer		
36	479974	1	Nipple		(942691)
37	467716	1	Elbow nipple		(961610)
38	943369	X	Rubber hose		L=350mm TMD122A
	943369	X	Rubber hose		L=590mm TAMD122A
39	943473	2	Hose clamp		
40	847579	1	Nipple		
41	947282	1	Gasket		
42	479953	1	Elbow nipple		(180283)
43	942758	1	Elbow nipple		
44	943367	X	Rubber hose		L=370mm
45	943470	2	Hose clamp		
46	479953	2	Elbow nipple		(180283)
47	966871	1	Shut-off cock		
48	943367	X	Rubber hose		L=300mm TMD122A
	943369	X	Rubber hose		L=570mm TAMD122A
49	943470	2	Hose clamp		
50	942722	1	Nipple		TMD122A
51	(944650)	1	Elbow nipple		TAMD122A, Obsolete part
52		1	Ect sensor		See group 30
53		1	Temperature contact		See group 30
54		1	Protecting casing, classifiable		See group 30
55	981749	1	Plug		Late type

TAMD122A, TMD122A

REF	PART NO.	QTY	DESCRIPTION	SEE SEC.	NOTES
56	947894	1	Shut-off cock		Late type