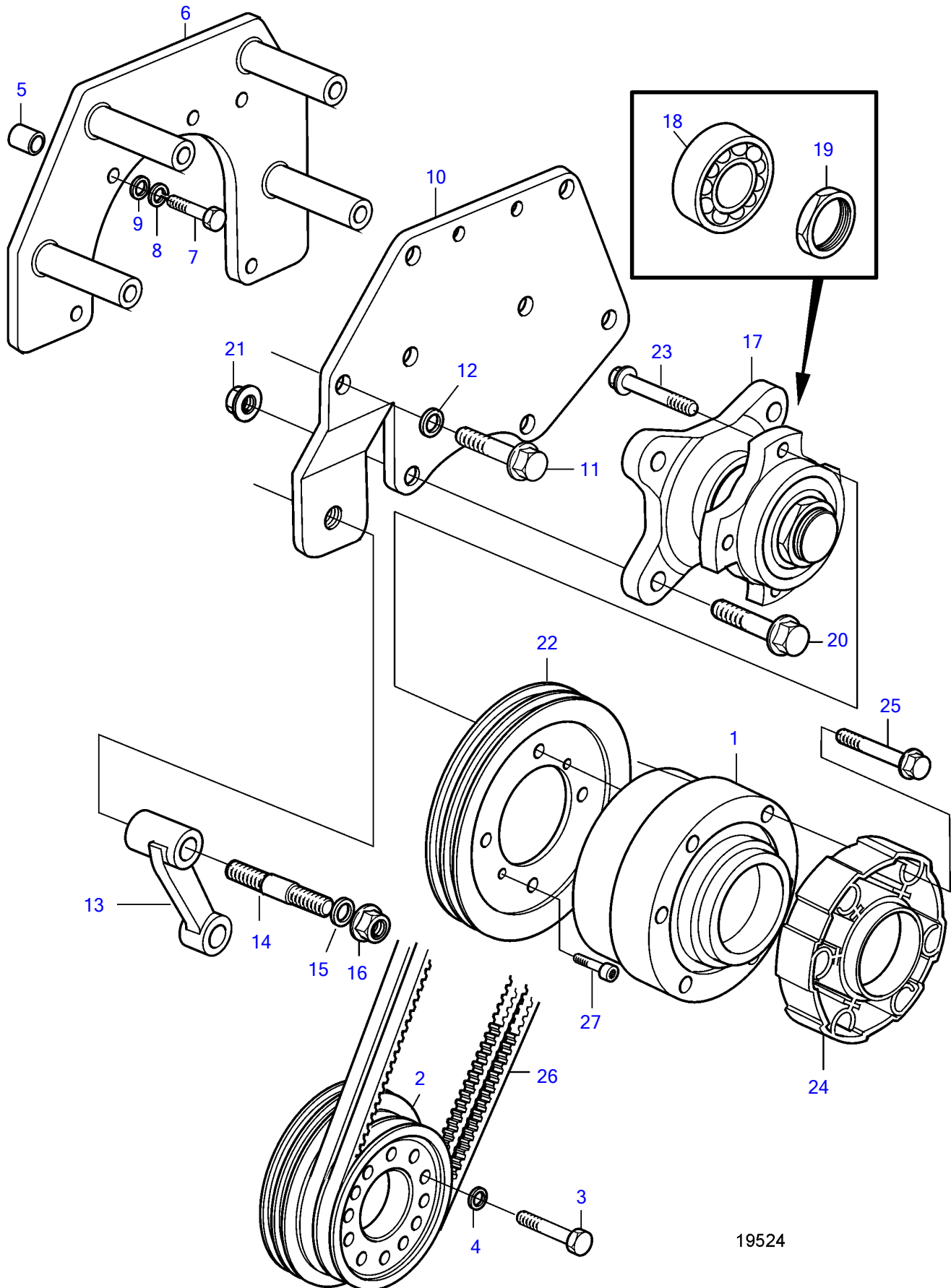


TAMD122A, TMD122A



19524

TAMD122A, TMD122A

REF	PART NO.	QTY	DESCRIPTION	NOTES
1	(3827000)	1	Hub	Obsolete part
2	822709	1	Pulley	
3	959188	12	Hex. socket screw	
4	941909	12	Spring washer	
5	829653	2	Spacer sleeve	L=15mm
	843028	3	Spacer sleeve	L=25mm
	845884	3	Spacer sleeve	L=30mm
6	3827010	1	Bracket	
7	942338	5	Hexagon screw	
8	942336	5	Spring washer	
9	976945	5	Washer	
10	3827011	1	Bracket	
11	946752	4	Flange screw	
12	941908	4	Spring washer	
13	422628	1	Lever	
14	953353	1	Stud	
15	941911	1	Spring washer	
16	955828	1	Hexagon nut	
17	1675786	1	Fan hub	
18	1675715	1	Ball bearing	
19	1675790	1	Locking device	
20	947760	4	Flange screw	
21	971098	4	Flange lock nut	
22	1675868	1	Pulley	
23	965220	4	Flange screw	
24	3829422	1	Fan hub	
25	965222	6	Flange screw	
26	966399	1	V-belt	
27	969407	2	6 point socket screw	

7746700-26-6147

19524

Upd:2012-02-22

TAMD122A, TMD122A, TAMD122P-A, TAMD122P-B, TAMD122P-C