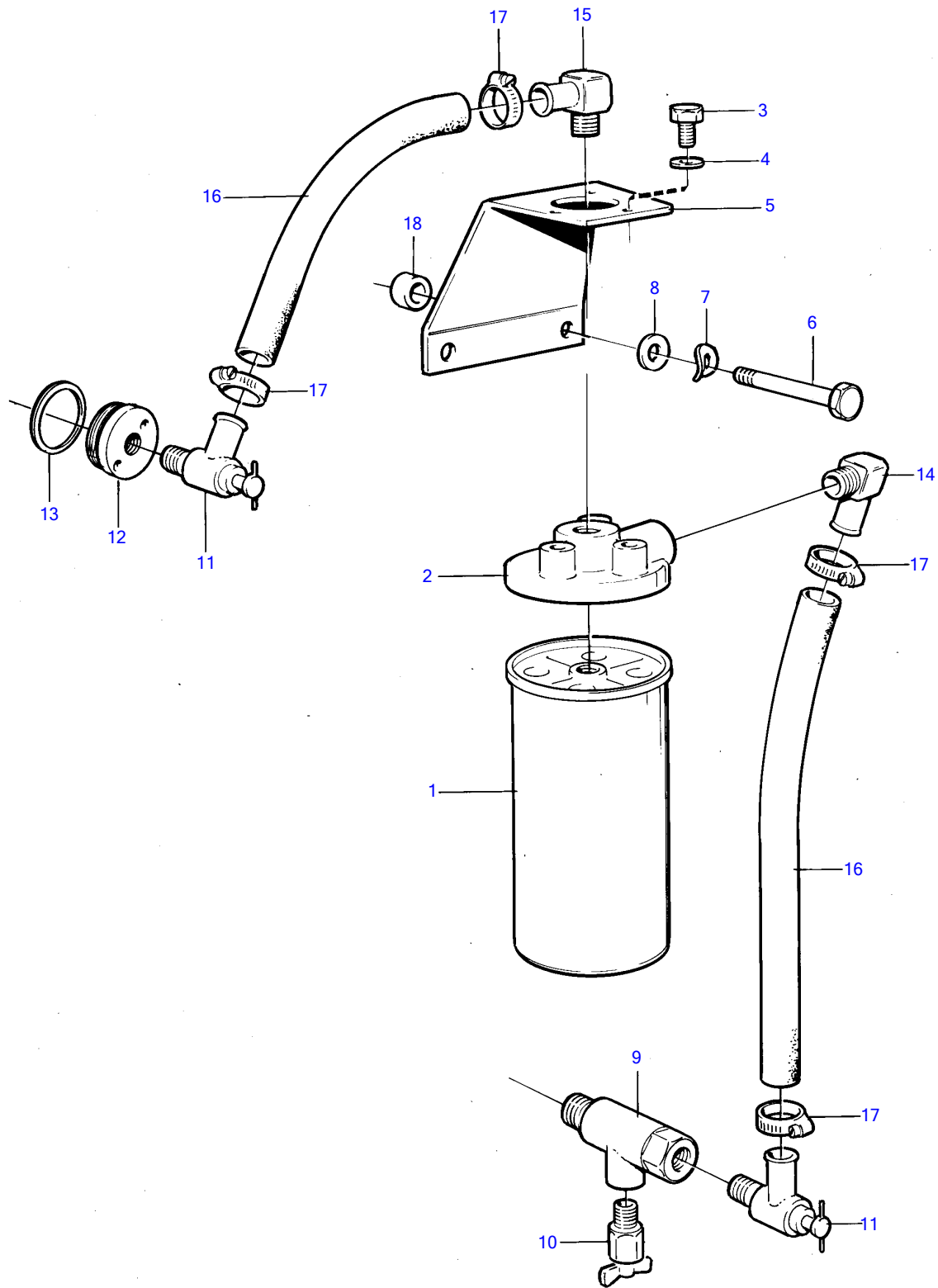


TAMD122A, TMD122A, TAMD122P-A, TAMD122P-B, TAMD122P-C



16758

TAMD122A, TMD122A, TAMD122P-A, TAMD122P-B, TAMD122P-C

REF	PART NO.	QTY	DESCRIPTION	NOTES
1	366822	1	Filter	
2	836440	1	Filter housing	
3	955524	3	Hexagon screw	
4	941907	3	Spring washer	
5	843992	1	Bracket	
6	940115	2	Hexagon screw	
7	942336	2	Spring washer	
8	940097	2	Washer	
9	827932	1	T-pipe	
10	949918	1	Shut-off cock	
11	365287	2	Faucet	
12	837180	1	Plug	
13	469328	1	Gasket	
14	961606	1	Hose nipple	
15	961606	1	Hose nipple	
16	952969	X	Hose	L=250mm
	952969	X	Hose	L=450mm
17	943472	4	Hose clamp	
18	829601	2	Spacer sleeve	