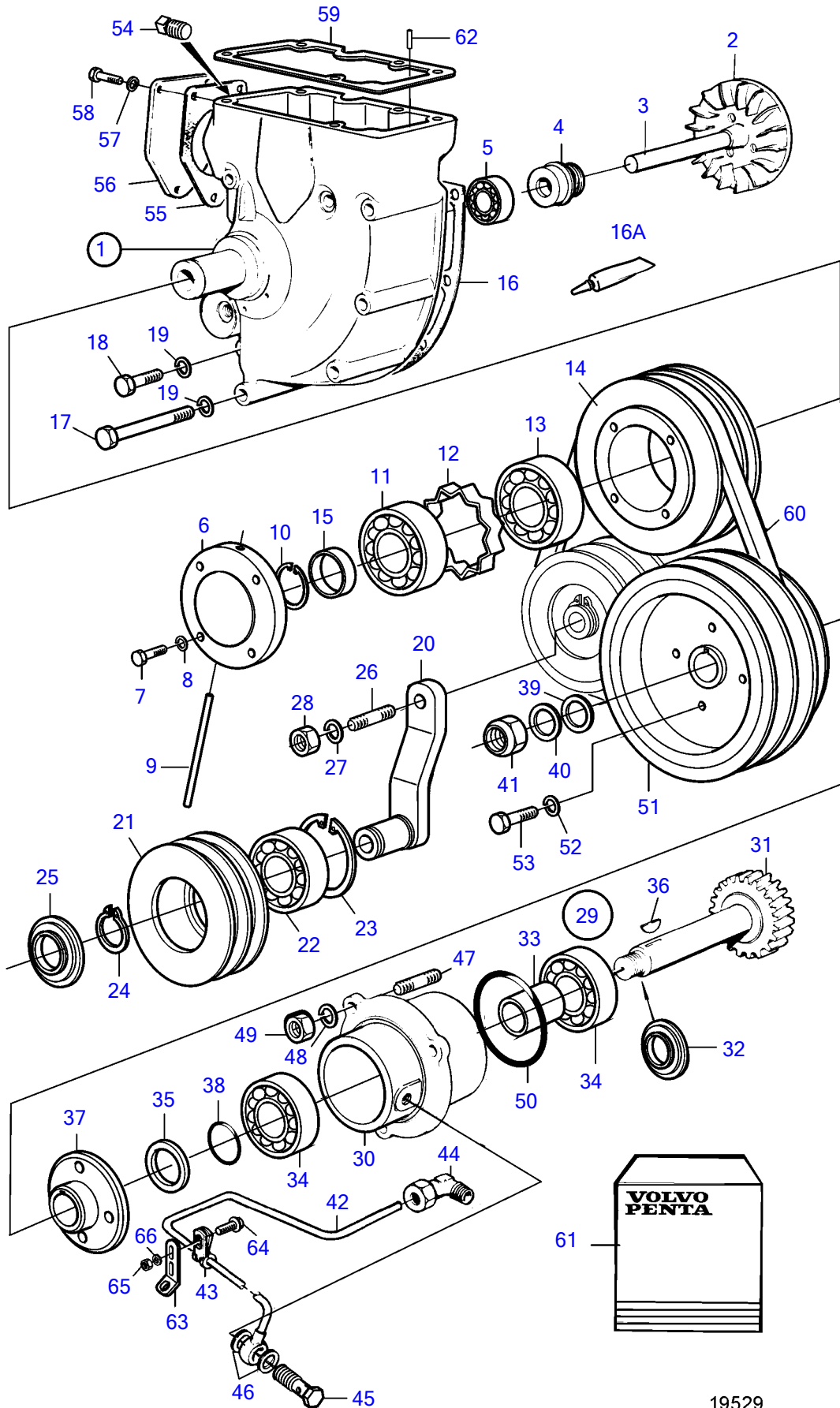


TAMD122A, TMD122A, TAMD122P-A, TAMD122P-B, TAMD122P-C



TAMD122A, TMD122A, TAMD122P-A, TAMD122P-B, TAMD122P-C

REF	PART NO.	QTY	DESCRIPTION	NOTES
1	866585	1	Coolant pump	
	3803213	1	Coolant pump, exch	
2	1698603	1	• Impeller	
3	421082	1	• Shaft	
4	1676432	1	• Sealing ring	
5	1660609	1	• Ball bearing	
6	836805	1	• Companion flange	
7	940159	4	• Hexagon screw	
8	941907	4	• Spring washer	
9	951969	1	• Spring pin	
10	914462	1	• Snap ring	
11	1542870	1	• Roller bearing	
12	422202	1	• Spacer sleeve	
13	181538	1	• Ball bearing	
14	822548	1	• V-belt pulley	
15	1542871	1	• Spacer sleeve	
16	423351	1	Gasket	
16A	1161231	X	Sealant	
17	955542	2	Hexagon screw	L=83mm
18	955536	5	Hexagon screw	L=45mm
19	942336	7	Spring washer	
20	822567	1	Intermediate lever, belt tensioner	
21	822551	1	V-belt pulley	
22	1544092	1	Ball bearing	
23	914533	1	Snap ring	
24	914462	1	Snap ring	
25	420416	1	Protecting plate	
26	953353	1	Stud	
27	941911	1	Spring washer	
28	955828	1	Hexagon nut	
29	837702	1	Drive outlet	
30	837703	1	• Bearing housing	
31	837704	1	• Gear	
32	837705	1	• Deflector	
33	837706	1	• Spacer sleeve	
34	3825779	2	• Ball bearing	(183731)
35	958856	1	• Sealing ring	
36	909867	1	• Flat key	
37	837707	1	• Hub	
38	190418	1	• O-ring	
39	947170	1	• Gasket	
40	837708	1	• Washer	
41	949399	1	• Lock nut	
42	866817	1	Oil pipe	SN XXXXXXXXXXXX/257762-
43	947191	1	Clamp	SN XXXXXXXXXXXX/257762-
44	866083	1	Nipple, cylinder block	SN XXXXXXXXXXXX/257762-
45	844625	1	Hollow screw	SN XXXXXXXXXXXX/257762-
46	947620	2	Gasket	SN XXXXXXXXXXXX/257762-
47	953257	1	Stud	L=35mm
	953280	2	Stud	L=120mm
48	942336	3	Spring washer	
49	955827	3	Hexagon nut	
50	949660	1	O-ring	
51	842769	1	Pulley	
52	942336	4	Spring washer	
53	955534	4	Hexagon screw	
54	479977	1	Plug	
55	422171	1	Gasket	
56	846685	1	Flange	For heat ex.
57	941907	3	Spring washer	
58	955524	3	Hexagon screw	
59	423352	1	Gasket	
60	966959	1	V-belt	

7746700-26-2246

19529

Upd:2012-02-22

TAMD122A, TMD122A, TAMD122P-A, TAMD122P-B, TAMD122P-C

VOLVO
PENTA

