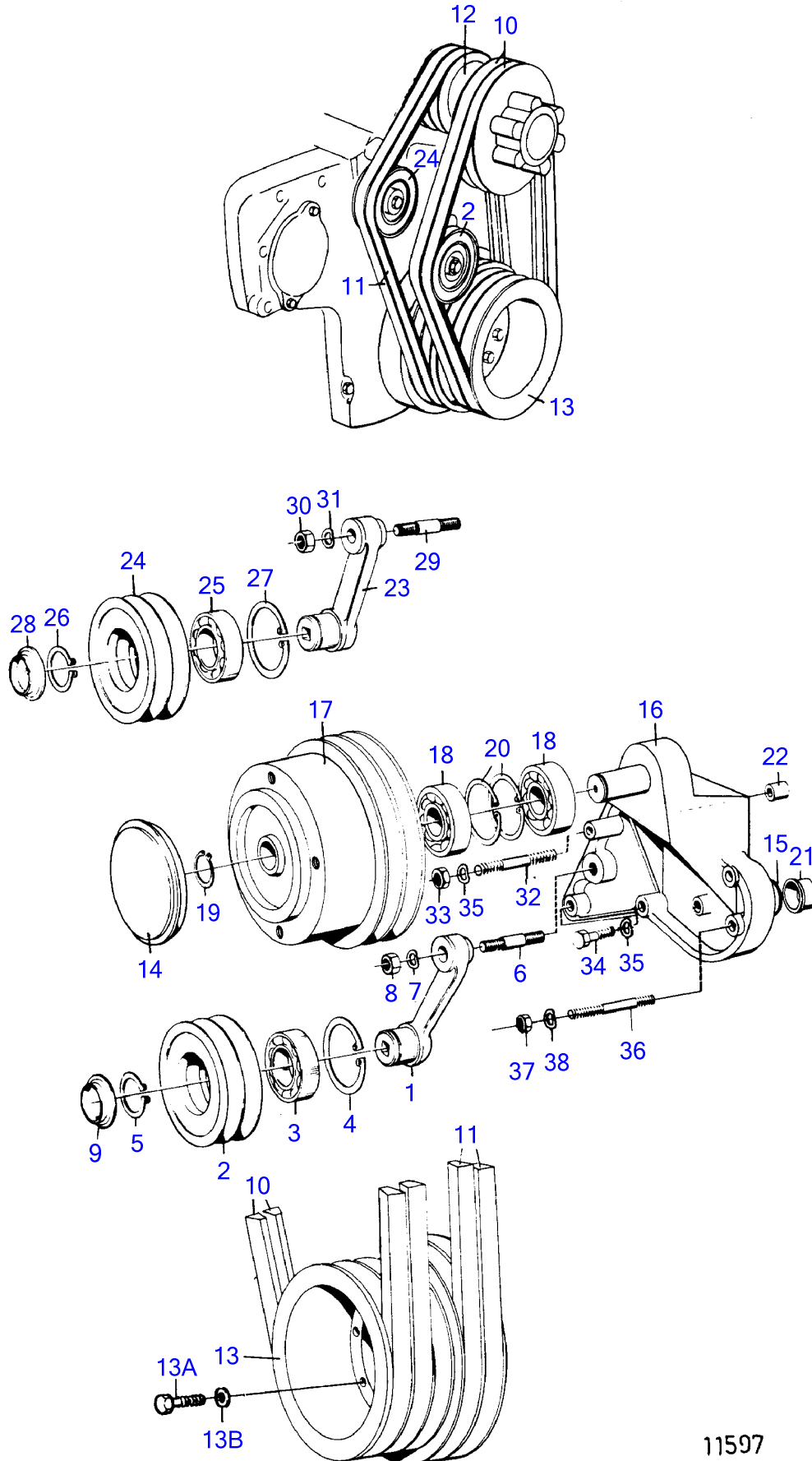


TMD122A



11597

TMD122A

REF	PART NO.	QTY	DESCRIPTION	NOTES
1	422628	1	Lever	
2	1661878	1	Pulley	With integrated bearing.
3	1544092	1	Ball bearing	For pulley with exchangeable bearing.
4	914533	1	Snap ring	With integrated bearing.
5	914462	1	Snap ring	
6	953353	1	Stud	
7	941911	1	Spring washer	
8	955828	1	Hexagon nut	
9	420416	1	Protecting plate	
10	966395	1	V-belt	L=2x1225mm
11	966396	1	V-belt	L=2x1275mm
12	423125	1	V-belt pulley, water pump	
	422499	1	V-belt pulley, water pump	
13	822709	1	Pulley, crankshaft	
13A	955550	12	Hexagon screw	
13B	941909	12	Spring washer	
14	(837975)	1	Cover	Obsolete part
15	1664473	1	O-ring	
16	(824459)	1	Bracket	Obsolete part
17	(823753)	1	Pulley	Obsolete part
18	181877	2	Ball bearing	
19	914465	1	Snap ring	
20	914540	2	Snap ring	
21	(824294)	1	Spacer sleeve	Obsolete part
22	823678	1	Spacer sleeve	
23	(423471)	1	Lever	Obsolete part
24	411670	1	V-belt pulley	
25	1544092	1	Ball bearing	
26	914462	1	Snap ring	
27	914533	1	Snap ring	
28	420416	1	Protecting plate	
29	(953583)	1	Stud	L=105mm, Obsolete part
30	955828	1	Hexagon nut	
31	941911	1	Spring washer	
32	(941358)	1	Stud	Obsolete part
33	955827	1	Hexagon nut	
34	940162	2	Hexagon screw	
35	942336	2	Spring washer	
36	(953284)	2	Stud	L=140mm, Obsolete part
	953263	1	Stud	L=50mm
37	955827	3	Hexagon nut	
38	942336	3	Spring washer	