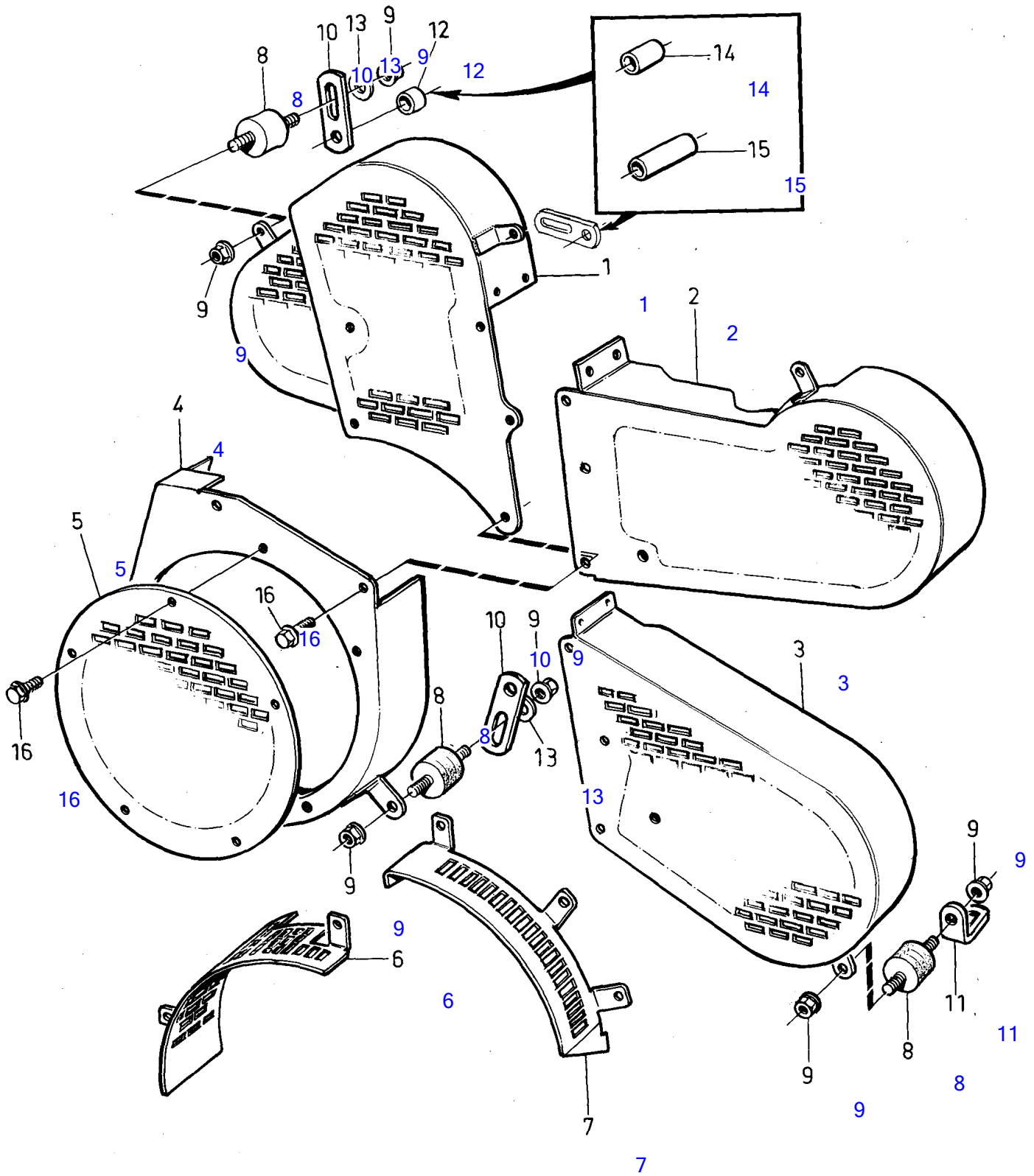


TAMD122A, TMD122A, TAMD122P-A, TAMD122P-B, TAMD122P-C



TAMD122A, TMD122A, TAMD122P-A, TAMD122P-B, TAMD122P-C

REF	PART NO.	QTY	DESCRIPTION	NOTES
1	3826278	1	Protecting casing	
2	(3826286)	1	Protecting casing	Alternator mounted high., Obsolete part
3	3826287	1	Protecting casing	Alternator mounted low.
4	3826282	1	Protecting casing	
5	3826280	1	Protecting casing	
6	(3826351)	1	Protecting casing	To be used when PTO is installed., Obsolete part
7	3826352	1	Protecting casing	To be used when PTO is installed.
8	3574797	X	Vibration damper	
9	945407	X	Flange nut	
10	965535	X	Bracket	
11	965553	1	Bracket	
12	829653	1	Spacer sleeve	
13	976943	X	Washer	(960139)
14	821541	1	Spacer sleeve	KC
15	822791	1	Spacer sleeve	KC
16	967949	X	Flange screw	(965175)