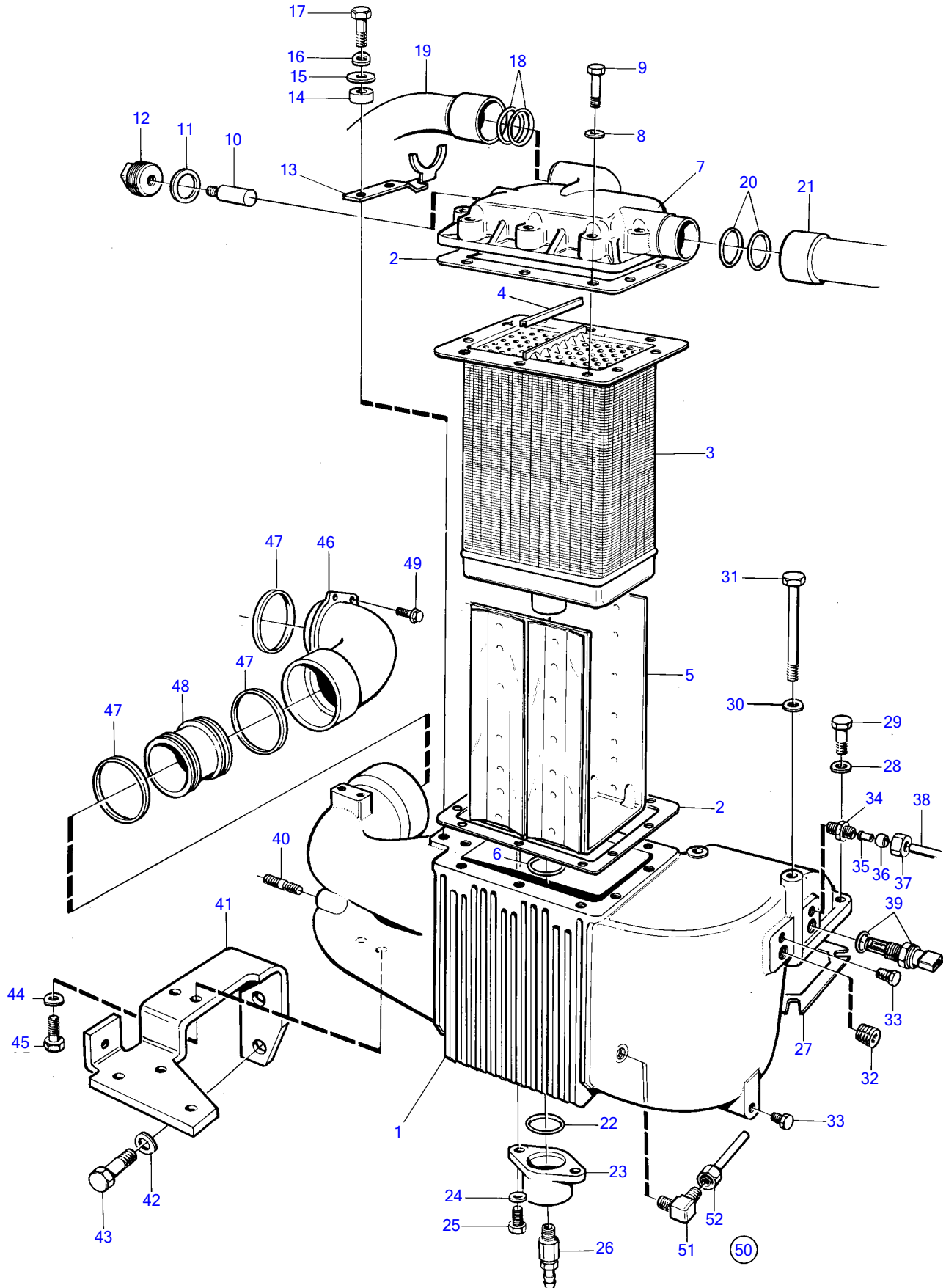


TAMD122P-B



TAMD122P-B

REF	PART NO.	QTY	DESCRIPTION	NOTES
1	3826334	1	Housing	
2	3827399	2	Gasket	
3	3826198	1	Insert	
4	3826201	1	Sealing strip	
5	3826324	1	Sealing plate	
6	1664473	1	O-ring	
7	3826202	1	Cardboard tube	
8	941670	10	Washer	
9	959952	10	Hexagon screw	
10	823661	1	Zinc anode	
11	836169	1	Gasket	
12	823662	1	Plug	
13	3826716	1	Bracket	
14	807183	2	Spacer sleeve	
15	976944	2	Washer	
16	941907	2	Spring washer	(966674)
17	955525	2	Hexagon screw	
18	925092	2	O-ring	
19	3826200	1	Coolant pipe, oil cooler	
20	925092	2	O-ring	
21	866756	1	Tube, heat exchanger	
22	925092	1	O-ring	
23	3826335	1	Cardboard tube	
24	941907	2	Spring washer	
25	940135	2	Hexagon screw	
26	949918	1	Shut-off cock	
27	424618	1	Gasket	
28	941907	2	Spring washer	
29	940159	2	Hexagon screw	
30	941907	2	Spring washer	
31	192546	2	Hexagon screw	
32	479977	1	Plug	
33	479979	2	Plug	
34	954378	1	Nipple	
35	944717	1	Support sleeve	
36	954364	1	Sleeve	
37	954356	1	Fitting nut	
38	945460	1	Tube	1260mm"
39		1	Ect sensor	See group 30
40	953259	1	Stud, air filter	
41	3826328	1	Bracket	
42	941912	2	Spring washer	
43	955590	2	Hexagon screw	
44	942336	2	Spring washer	
45	955535	2	Hexagon screw	
46	866631	1	Connection pipe, turbo	
47	3825197	3	Sealing ring	
48	1661276	1	Intermediate pipe	
49	946329	2	Flange screw	
50	3825891	1	Tube	
51	866083	1	• Nipple	
52		1	• Pipe	