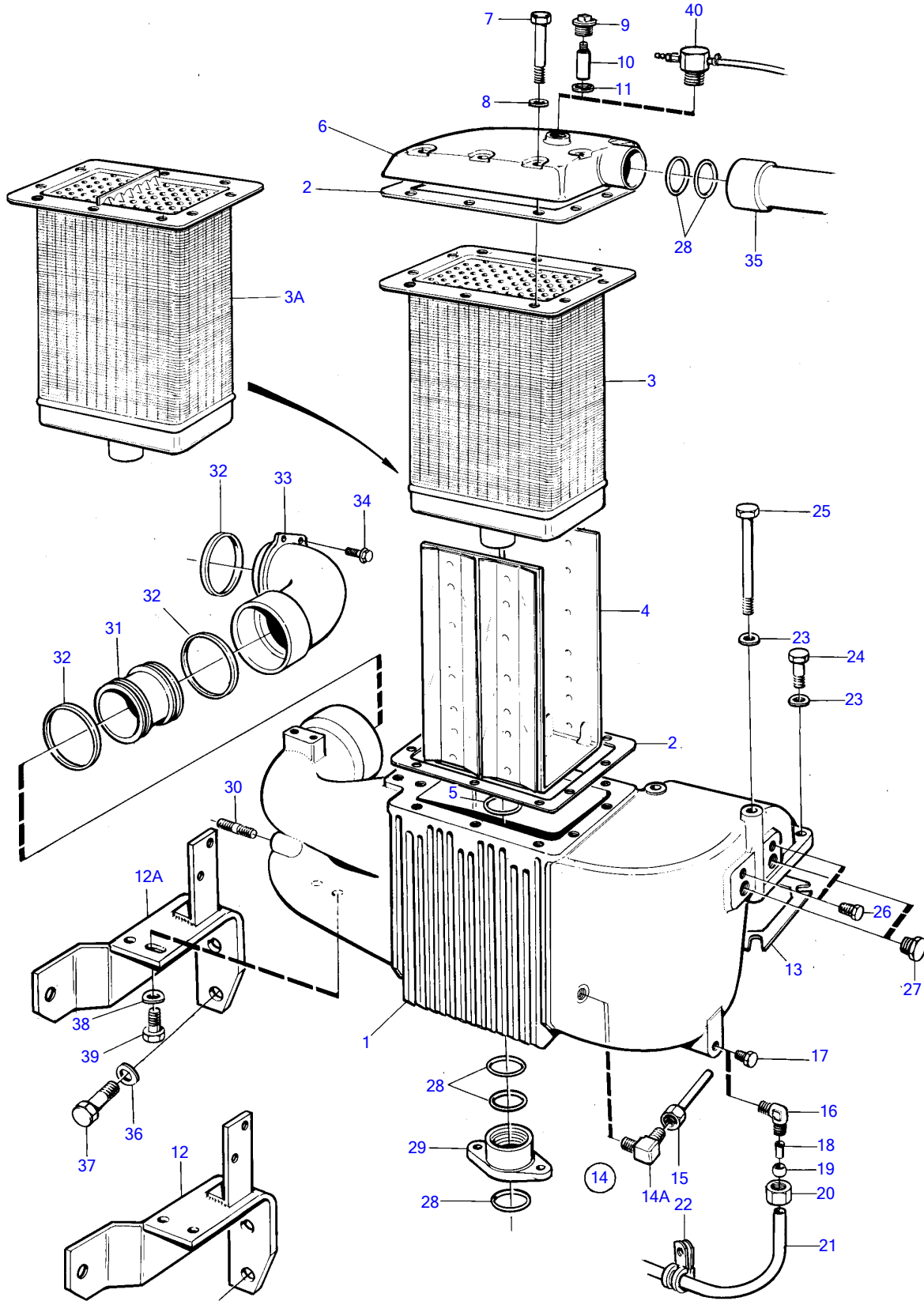


TAMD122P-A



TAMD122P-A

| REF | PART NO. | QTY | DESCRIPTION | SEE SEC. | NOTES |
|-----|----------|-----|-----------------------|----------|---|
| 1 | 866897 | 1 | Housing | | Repl by 3826334 |
| 2 | 3827399 | 2 | Gasket | | |
| 3 | 866719 | 1 | Insert | | Repl by 3826198 |
| 4 | 3825412 | 1 | Sealing plate | | Repl by 3826324 |
| 5 | 1664473 | 1 | O-ring | | |
| 6 | 843590 | 1 | Cardboard tube | | For engines with heat exchanger. |
| | (836014) | 1 | Cover | | For engines with ceel cooling., Obsolete part |
| 7 | 959952 | 10 | Hexagon screw | | |
| 8 | 941670 | 10 | Washer | | |
| 9 | 823662 | 1 | Plug | | For engines with heat exchanger. |
| 10 | 823661 | 1 | Zinc anode | | For engines with heat exchanger. |
| 11 | 836169 | 1 | Gasket | | For engines with heat exchanger. |
| 12 | 866920 | 1 | Bracket | | Repl by 3826570 |
| 13 | 424618 | 1 | Gasket | | |
| 16 | 954385 | 1 | Elbow nipple | | |
| 17 | 479979 | 1 | Plug | | |
| 18 | 944717 | 1 | Support sleeve | | |
| 19 | 954364 | 1 | Sleeve | | |
| 20 | 954356 | 1 | Fitting nut | | |
| 21 | 945460 | 1 | Tube | | L=710mm |
| | | | turbo pressure sender | | |
| 22 | 952623 | 1 | Clamp | | |
| 23 | 941907 | 4 | Spring washer | | |
| 24 | 940159 | 2 | Hexagon screw | | |
| 25 | 192546 | 2 | Hexagon screw | | |
| 28 | 925092 | 5 | O-ring | | |
| 29 | 843565 | 1 | Pipe connection | | |
| 30 | 953259 | 1 | Stud | | |
| 31 | 1661276 | 1 | Intermediate pipe | | |
| 32 | 3825197 | 3 | Sealing ring | | |
| 33 | 866631 | 1 | Connection pipe | | |
| 34 | 946329 | 2 | Flange screw | | |
| 35 | 866756 | 1 | Tube, heat exchanger | | |
| 36 | 941912 | 2 | Spring washer | | |
| 37 | 955590 | 2 | Hexagon screw | | |
| 38 | 942336 | 2 | Spring washer | | |
| 39 | 955535 | 2 | Hexagon screw | | |
| 40 | | | Connector | 2971 | For engines with ceel cooling. |