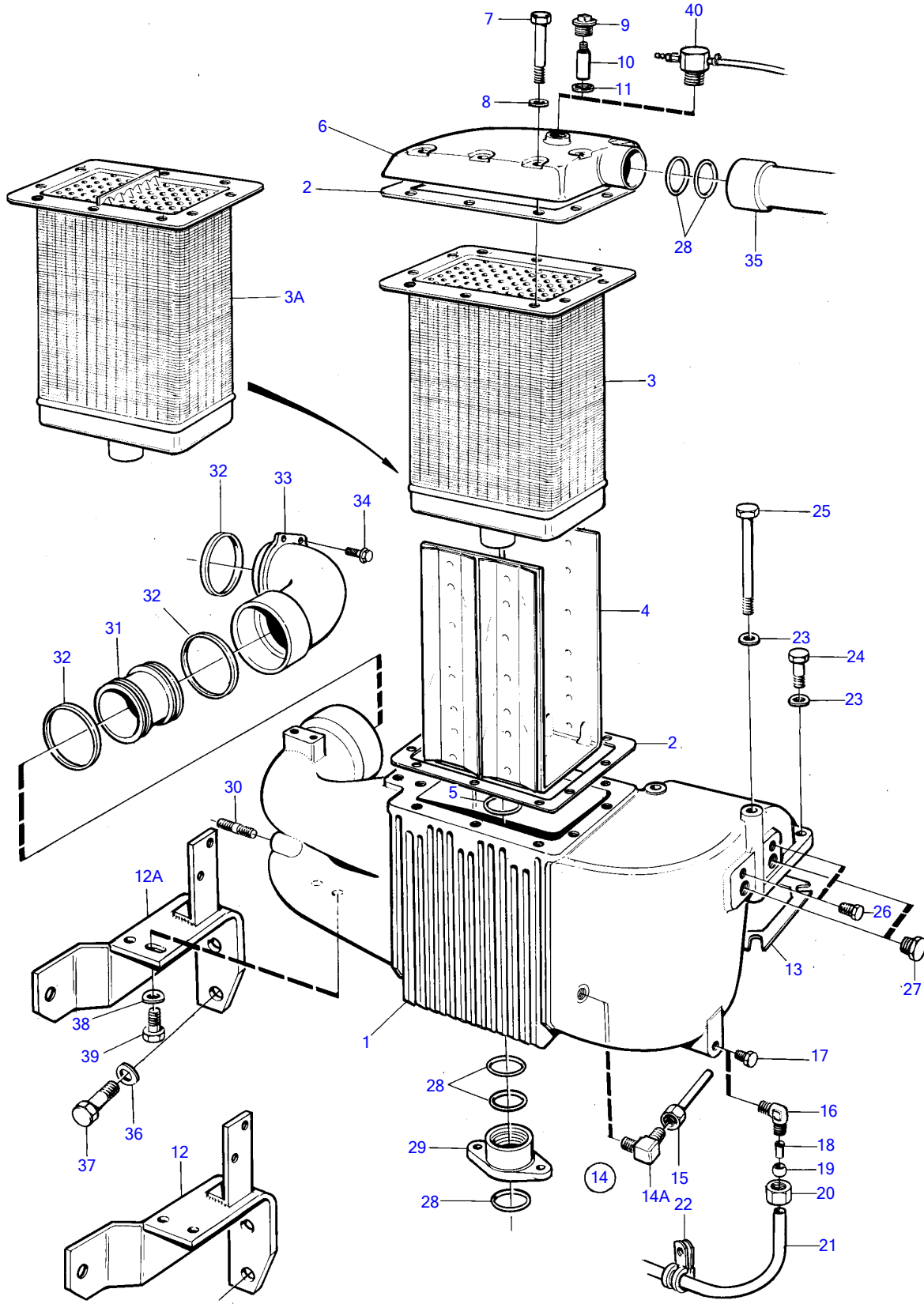


TAMD122P-A



TAMD122P-A

REF	PART NO.	QTY	DESCRIPTION	NOTES
1	3826334	1	Housing	
2	3827399	2	Gasket	
3A	3826198	1	Insert	
4	3826324	1	Sealing plate	
5	1664473	1	O-ring	
6	843590	1	Cardboard tube	For engines with heat exchanger.
	(836014)	1	Cover	For engines with ceel cooling., Obsolete part
7	959952	10	Hexagon screw	
8	941670	10	Washer	
9	823662	1	Plug	For engines with heat exchanger.
10	823661	1	Zinc anode	For engines with heat exchanger.
11	836169	1	Gasket	For engines with heat exchanger.
12A	(3826570)	1	Bracket	Obsolete part
13	424618	1	Gasket	
14	3825891	1	Tube	
14A	866083	1	• Nipple	
15		1	• Pipe	
16	954385	1	Elbow nipple	
17	479979	1	Plug	
18	944717	1	Support sleeve	
19	954364	1	Sleeve	
20	954356	1	Fitting nut	
21	945460	1	Tube	L=710mm
22	952623	1	Clamp	
23	941907	4	Spring washer	
24	940159	2	Hexagon screw	
25	192546	2	Hexagon screw	
26	479979	2	Plug	
27	479977	2	Plug	
28	925092	5	O-ring	
29	843565	1	Pipe connection	
30	953259	1	Stud	
31	1661276	1	Intermediate pipe	
32	3825197	3	Sealing ring	
33	866631	1	Connection pipe	
34	946329	2	Flange screw	
35	866756	1	Tube, heat exchanger	
36	941912	2	Spring washer	
37	955590	2	Hexagon screw	
38	942336	2	Spring washer	
39	955535	2	Hexagon screw	