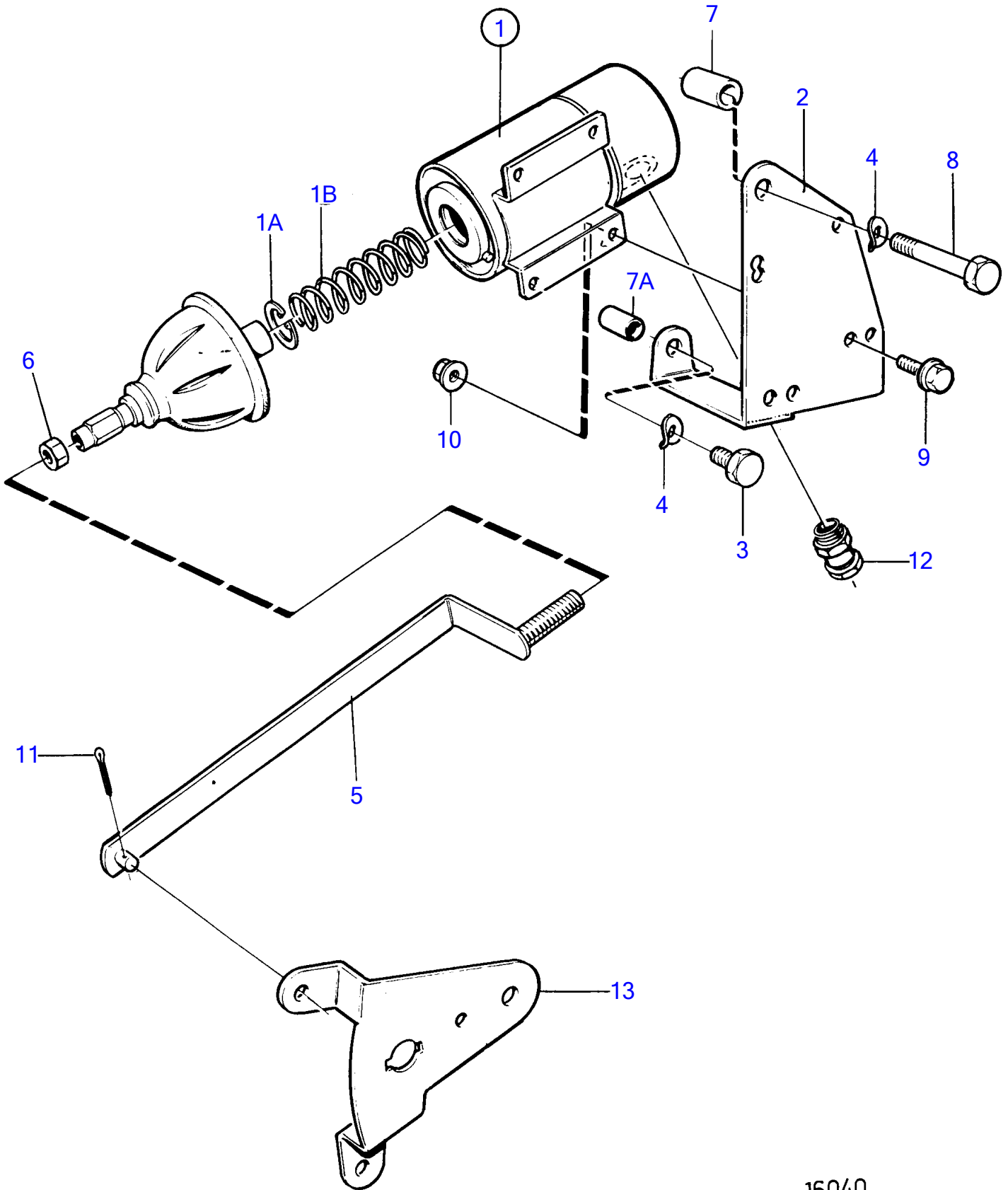


TAMD122A, TMD122A



16040

TAMD122A, TMD122A

REF	PART NO.	QTY	DESCRIPTION	NOTES
1	872825	1	Stop solenoid	(872458)
1A	(969294)	1	• Snap ring	Obsolete part
1B	847009	1	• Return spring	TH=1,4mm
2	822649	1	Bracket	
3	955535	1	Hexagon screw	
4	942336	2	Spring washer	
5	845444	1	Pull rod	
6	955857	1	Hexagon nut	
7	822779	1	Spacer sleeve	
7A	820506	1	Spacer sleeve	
8	955541	1	Hexagon screw	
9	946544	4	Flange screw	
10	945407	4	Flange nut	
11	907824	1	Split pin	
12	844576	1	Grommet	(881191)
13	848677	1	Intermediate lever	See group 23