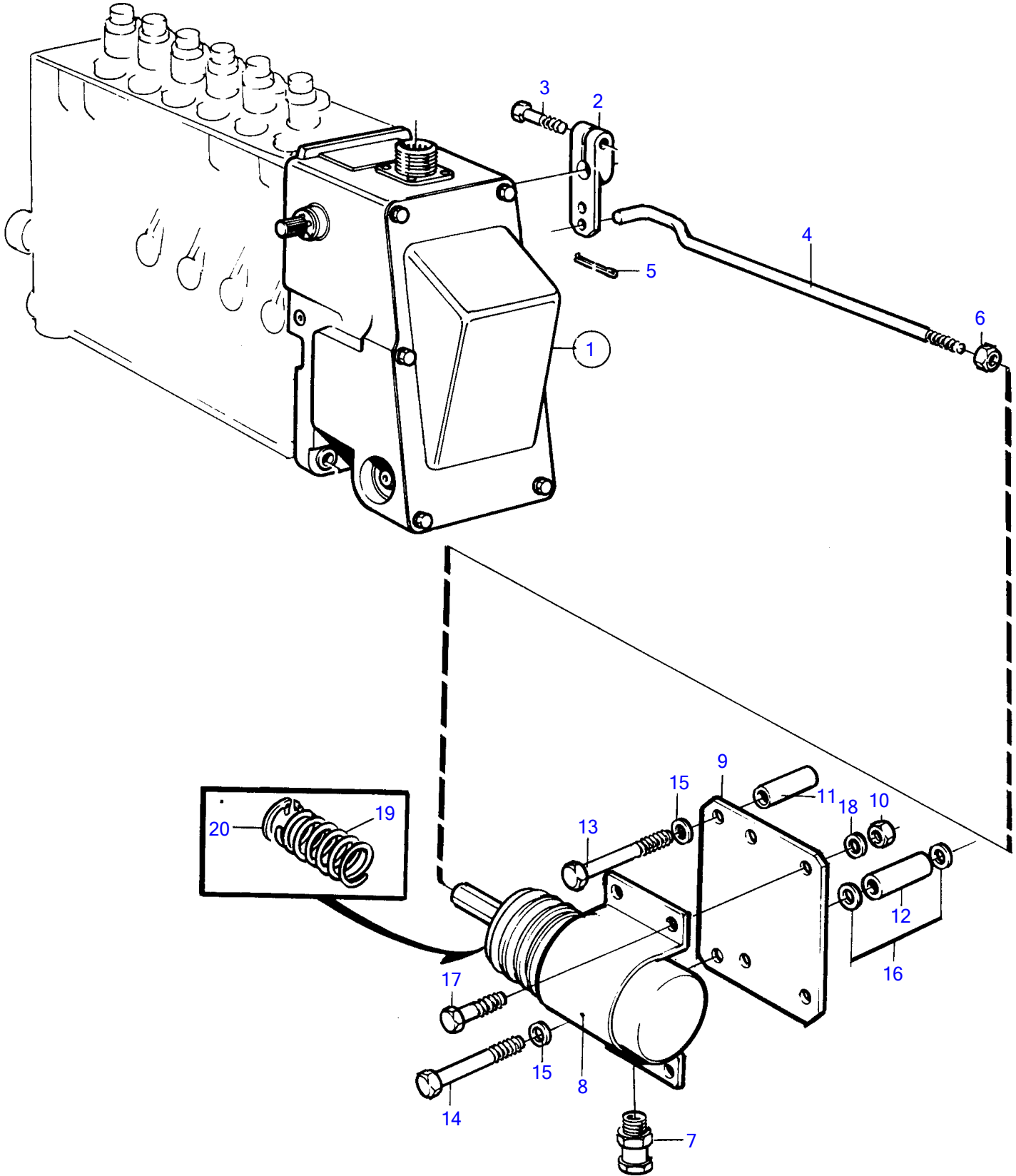


TAMD122A, TMD122A



16019

TAMD122A, TMD122A

REF	PART NO.	QTY	DESCRIPTION	NOTES
1	848990	1	Actuator	Replaced by governor 866167 + mounting kit 866169., Ambac
2	846426	1	Intermediate lever	
3	(955637)	1	Hexagon screw	Obsolete part
4	(846423)	1	Pull link	Obsolete part
5	907824	1	Split pin	
6	955857	1	Hexagon nut	
7	881191	1	Grommet	
8	872825	1	Stop solenoid	24V (881532)
9	846422	1	Bracket	
10	955781	4	Hexagon nut	
11	846424	1	Spacer sleeve	L=64mm
12	846425	1	Spacer sleeve	L=30mm
13	955542	1	Hexagon screw	
14	955537	1	Hexagon screw	
15	942336	2	Spring washer	
16	(961170)	2	Washer	Obsolete part
17	955270	4	Hexagon screw	
18	941906	4	Spring washer	
19	847009	1	Return spring	
20	(969294)	1	Snap ring	Obsolete part